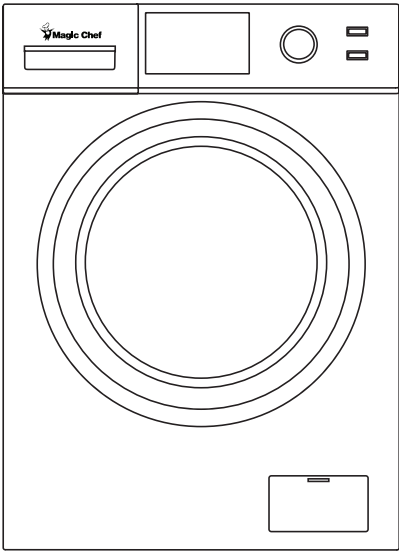




24" Combo Washer and Dryer

24" Front Load Washer

User's Manual



Model MCSCWD27W5 / MCSFLW27W

**PLEASE READ THIS MANUAL CAREFULLY BEFORE USING YOUR
COMBO WASHER AND DRYER AND KEEP IT FOR FUTURE REFERENCE.**



PRODUCT REGISTRATION

Thank you for purchasing a Magic Chef® product. The first step to protect your new product is to complete the product registration on our website: www.mcappliance.com/register. The benefits of registering your product include the following:

1. Registering your product will allow us to contact you regarding a safety notification or product update.
2. Registering your product will allow for more efficient warranty service processing when warranty service is required.
3. Registering your product could act as your proof of purchase in the event of insurance loss.

Once again, thank you for purchasing a Magic Chef product.

CONTENTS

PRODUCT REGISTRATION	2
IMPORTANT SAFETY INSTRUCTIONS	4
SPECIFICATIONS.....	6
INSTALLATION INSTRUCTIONS	7
BEFORE USE	10
OPERATION INSTRUCTIONS.....	11
WASH CYCLE PARAMETERS.....	17
CARE AND MAINTENANCE.....	19
TROUBLESHOOTING.....	22
LIMITED WARRANTY	24

IMPORTANT SAFETY INSTRUCTIONS

This manual contains Safety Instructions, Installation and Operating Instructions, and Troubleshooting Tips. Please carefully read this manual before using your washing machine for instructions on how to use and maintain the product properly. Be sure to follow the safety instructions to avoid injury or damage to the product.

Keep this manual. When passing on/selling the device to a third party, the manual must be handed over along with the device.

Before calling for service, please make sure unit is installed and being used correctly, and read the troubleshooting section.

▲ WARNING: When using your appliance, follow the precautions listed below.

▲ NOTE: Specifications may change at any time without notice.

State of California Proposition 65 Warnings

▲ WARNING: The California Safe Drinking Water and Toxic Enforcement Act requires the Governor of California to publish a list of substances known to the State of California to cause cancer, birth defects, or other reproductive harm, and requires business to warn of potential exposure to such substances. This product contains a chemical known to the State of California to cause cancer, birth defects, or other reproductive harm. This appliance can cause low-level exposure to some of the substances listed, including benzene, formaldehyde, and carbon monoxide.

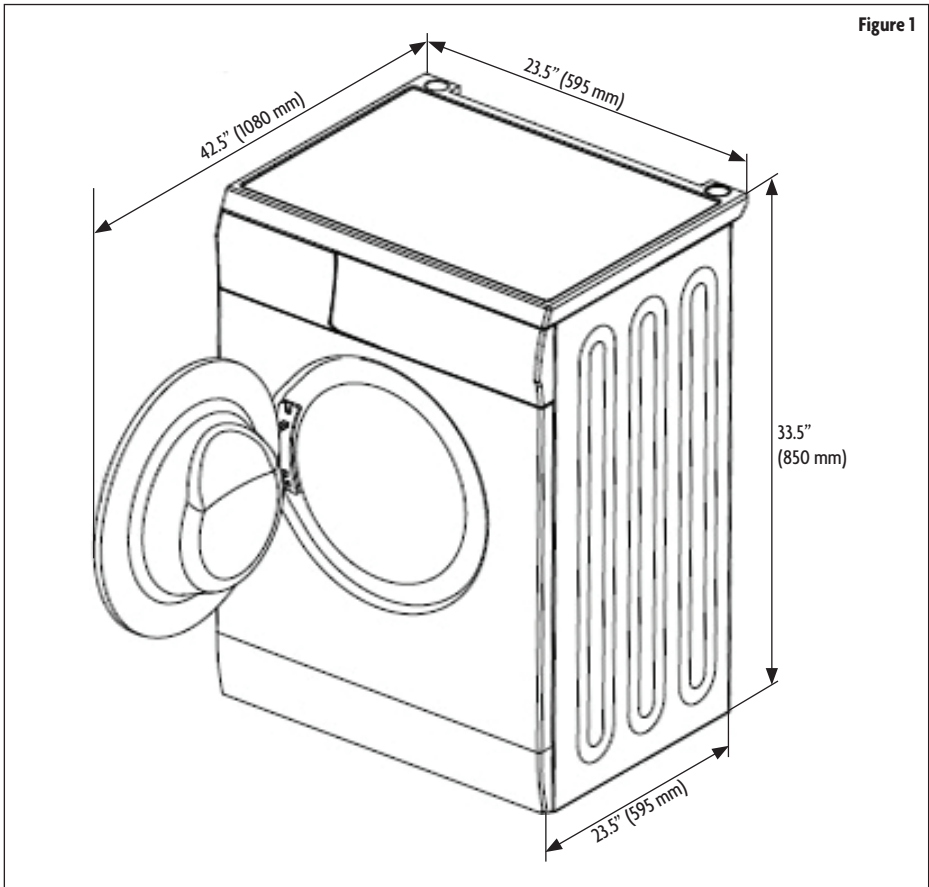
1. Read all instructions before using this product.
2. This appliance is for household use only. It is not intended for commercial applications.
3. The appliance is intended for indoor use only. DO NOT use outdoors.
4. DO NOT use this appliance for other than its intended purpose.
5. Use only detergents or softeners recommended for use in this manual and keep them out of the reach of children.
6. This machine is not intended for use by persons (including children) with reduced physical, sensory or mental capabilities, or lack of experience and knowledge, unless they are given supervision or instruction concerning the use of the washer by a person responsible for their safety.
7. This appliance must be properly installed in accordance with the installation instructions before it is to be used.
8. DO NOT unplug your appliance by pulling on its power cord. Always grasp the plug firmly and pull it straight out from the outlet.
9. Do not operate any appliance that has a damaged cord or plug, if it is damaged or malfunctions in any way, or if the outlet is not in proper working order. Contact customer service or a service technician.
10. ALWAYS turn off and unplug from outlet before servicing, changing accessories or cleaning the unit. Allow unit to cool down completely before cleaning, moving or servicing. Turning the unit off does not disconnect it from the power source.
11. DO NOT put anything flammable or explosive in, on, or near the appliance. DO NOT wash or dry articles of clothing or any items that have been soaked in flammable or explosive chemicals. To reduce the risk of fire, clothes, cleaning rags, mop heads and the like which have traces of any flammable substance, such as cooking oils, petroleum based oils or distillates, waxes, fats, etc., must not be placed in the washing machine. These items may contain flammable substances which, even after washing, may smoke or catch fire. DO NOT dry articles containing foam rubber or similarly textured rubber like materials.
12. ALWAYS wait for the washer tub to completely stop moving before reaching in to add or remove any clothes.
13. The loading door must be closed when the tub is spinning.

14. DO NOT operate this washer unless all enclosure panels are properly installed.
15. DO NOT tamper with or modify the controls.
16. **▲ WARNING:** Risk of child entrapment. DO NOT allow children to play on or in the appliance. Close supervision of children is necessary when the appliance is used around them.
17. The appliance must be plugged into a properly installed and grounded outlet that meets the voltage requirements listed on the ratings label.
18. **▲ CAUTION:** The power cord is equipped with a 3-prong grounding plug to protect against shock hazards. ALWAYS plug the cord into a properly installed and grounded 3-prong wall receptacle, and DO NOT remove the grounding prong.
19. Under certain conditions, hydrogen gas may be produced in a household hot water system that has not been used for two weeks or more. Hydrogen gas is highly explosive. If the hot water system has not been used for more than two weeks, turn on all hot water faucets and let the water flow for several minutes prior to using your compact washer.
20. DO NOT modify or repair the unit by yourself. Contact customer service or a qualified service technician if service is required.
21. To reduce the risk of electric shock or fire, do not use an extension cord or outlet adapters to connect the unit to an electrical power source. The appliance must be properly grounded using a three-prong electric receptacle wall outlet.
22. DO NOT install the washing machine in a moist or wet area, or where it can get wet or exposed to outside weather conditions. DO NOT spray with water when cleaning.
23. DO NOT put children on top of, or allow children or pets to climb in or on, the washer. ALWAYS check inside before using.
24. Glass door may be very hot during the operation. Keep children and pets away from the washer while in use.
25. Regularly clean the power plug to remove dust and dirt, in order to prevent electrical failure.
26. It is recommended to unplug the unit when it is not in use.
27. ALWAYS be sure to properly and securely connect the power cord to the outlet, and the water hoses to prevent leakage or electrical shock.
28. DO NOT operate the unit or handle the plug with wet hands.
29. The water temperature to the washing machine should not exceed 131 °F (55 °C).
30. DO NOT wash raincoats, heavy jackets, or similar, heavy items.
31. DO NOT machine wash fiberglass materials (such as curtains and window coverings that use fiberglass materials.) Small particles may remain in the washing machine and stick to fabrics in subsequent wash loads causing skin irritation.
32. When removing from service and discarding, be sure to remove the door from the unit and cut the power cord.
33. DO NOT reach into the wash tub when the agitator is moving.
34. **▲ CAUTION:** Content may be HOT when washing and/or drying cycle is completed.

**READ AND FOLLOW THIS
SAFETY INFORMATION CAREFULLY
SAVE THESE INSTRUCTIONS**

SPECIFICATIONS

Figure 1



Height	33.5" (850 mm)
Width	23.5" (595 mm)
Depth	23.5" (595 mm)
Depth with Door Opened	42.5" (1080 mm)
Weight	160.9 lbs. (73.0 kg)
Voltage / Frequency	AC 120V-60Hz
Rated Current	11.0A
Max. Washing Capacity	26.4 lbs. (12.0 kg)
Max. Dry Capacity (For MCSCWD27W5 only)	17.6 lbs. (8.0 kg)
Drum Size	2.7 cu. ft.

INSTALLATION INSTRUCTIONS

1. The washing machine must be properly grounded. In the event of a short circuit, grounding can reduce the danger of electrical shock.
2. Washing machine should be operated in a circuit separate from other electrical appliances.

INCLUDED PARTS

Before starting installation, make sure all included parts are in the package inside the drum.

INSTALLATION REQUIREMENTS

ELECTRICAL REQUIREMENTS

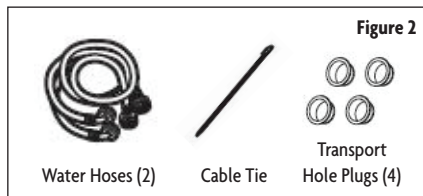
1. A 120v, 60Hz, AC 15-or 20amp, fused electrical supply is required. A time-delay fuse or circuit serving only this appliance should be used.
2. This washer is equipped with a power supply cord having a 3 prong grounding plug.
3. To minimize possible shock hazard, the cord must be plugged into a 3 prong outlet, properly grounded in accordance with local codes and ordinances. If a proper outlet is not available, it is the responsibility of the customer to have the properly grounded outlet installed by a qualified electrician.
4. If codes permit and a separate ground wire to be used, it is recommended that a qualified electrician determine the proper ground path.
5. DO NOT ground to a gas pipe.
6. Check with a qualified electrician if you are not sure the washer is properly grounded.
7. DO NOT have a fuse in the neutral or ground circuit.
8. Certain internal parts are intentionally not grounded and may present a risk of electric shock only during servicing. Service Personnel – Do not contact the following parts while the appliance is energized: Drain Pump, Door Lock, Drying Heater (Combo), Fan Motor (Combo).

LOCATION REQUIREMENTS

Selecting the proper location for your washer improves performance and minimizes noise and possible washer “walk.” The washer can be installed under a custom counter or in a basement, laundry room, closet, or recessed area.

You will need:

- A water heater set for 120° F (49° C).
- A grounded electrical outlet located within 6 ft.(1.8 m) of where the power cord is attached to the back of the washer.
- Hot and cold water faucets located within 4 ft. (1.2 m) of the hot and cold water fill valves ,and water pressure of 20 - 100 psi (137.9 - 689.6 kPa).
- A level floor with a maximum slope of 1” (25 mm) under entire washer. Installing the washer on soft floor surfaces, such as carpets or surfaces with foam backing is not recommended.
- A sturdy and solid floor to support the washer with a total weight (water and load) of 200lbs.
- Do not operate your washer in temperatures below 32° F (0° C). Some water can remain in the washer and can cause damage in low temperatures.



- The location must be large enough to allow the washer door to be fully opened. The door opens more than 90°, and is not reversible.
- Additional spacing should be considered for ease of installation and servicing.
- Minimum spacing of 1" (25 mm) on all sides of the washer is recommended to reduce noise transfer.
- Additional clearances might be required for wall, door, and floor moldings.
- Spacing for companion appliance should also be considered.

INSTALLATION

▲ CAUTION: Packing materials may be dangerous to children. Please dispose them properly and DO NOT let children play with any packing materials.

Before using this washing machine, transport bolts must be removed from the backside of this machine. Please take the following steps to remove the bolts:

1. Loosen all bolts and then remove them.
2. Insert the transport hole plugs into the holes.
3. Keep the transport bolts for future use.

Make sure that the small foam triangle is removed with the bottom foam piece. If not, carefully lay the unit down and remove it.

When you unpack your washing machine, check if there is any damage or missing pieces. If any items missing, please contact customer service.

LEVELING THE WASHER

1. When positioning the washing machine, make sure the legs are screwed in close to the cabinet. If not, turn them to their original positions by hand or with a wrench and tighten the nuts with a wrench.
2. After positioning the washing machine, push on all four corners at the top of washing machine. If the washing machine has any wobble, or is not stable when being pressed, adjust the leg to level the machine.
3. To level the unit, loosen the lock nut with a wrench and turn the leg by hand until it tightly contacts with the floor. Press the leg with one hand and tighten the locking nut close to the cabinet with the other hand.
4. Repeat steps 2 and 3 as needed.
5. Use a bubble level to check front to back, side to side, and corner to opposite corner to ensure the washing machine is level. Repeat above steps if needed.

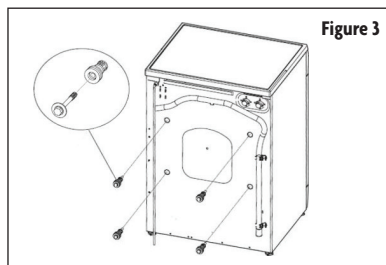


Figure 3

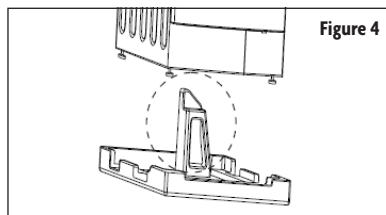


Figure 4

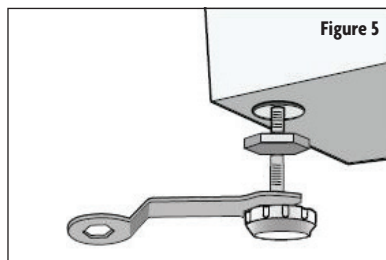


Figure 5

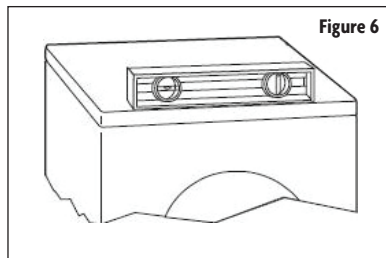


Figure 6

DRAIN SYSTEM

STANDPIPE DRAIN SYSTEM

- WALL OR FLOOR

The standpipe drain requires a minimum diameter standpipe of 2" (5 cm). The minimum carry-away capacity can be no less than 17 gal. (64 L) per minute. The top of the standpipe must be at least 24" (60 cm) high and no higher than 39" (100 cm) from the bottom of the washer.

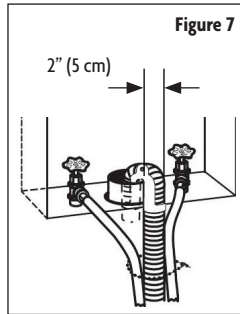


Figure 7

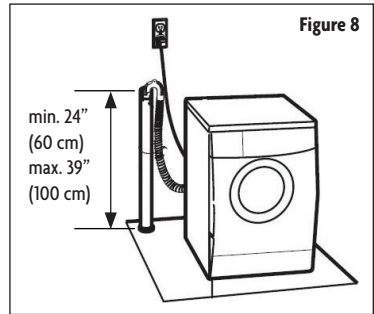


Figure 8

LAUNDRY TUB DRAIN SYSTEM

The laundry tub needs a minimum 20 gal. (76 L) capacity. The top of the laundry tub must be at least 60cm above the floor.

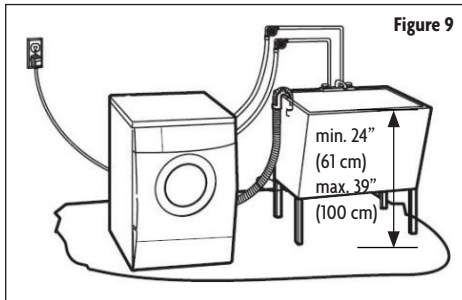


Figure 9

FLOOR DRAIN SYSTEM

The floor drain system requires a siphon break that may be purchased separately. The siphon break must be a minimum of 28" (71 cm) from the bottom of the washer. Additional hoses might be needed.

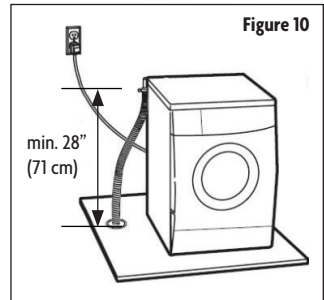


Figure 10

INSTALL INLET PIPE

Connect the end of the water inlet hose with the 90° elbow to the back of the washing machine and turn clockwise to tighten. Note the position of the Hot and Cold water inlets.

Connect the other end of the water inlet hose to the appropriate Hot and Cold water tap. Tighten by turning clockwise, and turn on the water valve to check for leaks. If any leaks are found, verify all connections are tight and washers are present, and repeat the procedure.

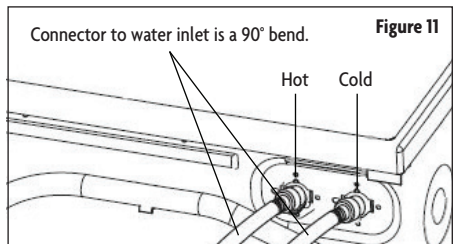


Figure 11

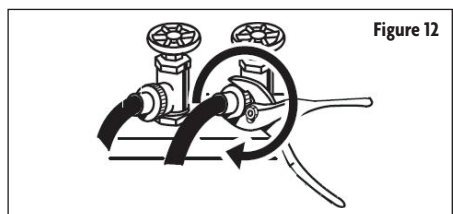


Figure 12

BEFORE USE

CHECK LIST AND PREPARATION BEFORE WASHING

Read all instructions carefully to avoid any damage or issues with the washing machine and to clothes. ALWAYS follow instructions on fabric care labels on clothing articles for proper care.

▲ WARNING: DO NOT leave items to be washed in the washing machine for long periods of time. Items left in the machine may get moldy and get spots. Clothes may also become discolored if they are not washed according to the stated washing temperature and instructions.

SELECTING DETERGENT

- Low foaming powdered detergent is recommended for use with the washing machine.
- Some detergents may not completely dissolve if there is too much detergent or if the water temperature is too low.
- Bleach can damage clothes. Use bleach with caution and follow detergent and clothing article care instructions.

Washing method is based on weight of clothes, soil level, local water hardness as well as the recommendations from the detergent manufacturers.

▲ NOTE: DO NOT place or store laundry products, such as detergent, bleach, or liquid fabric softener, on top of your washer/dryer combo unit. Wipe up any spills immediately. These products can damage the finish and controls. Keep all laundry products in a safe, dry space out of reach of children.

SEPARATE CLOTHES TO BE WASHED

Classify clothes to be washed into cottons, blended fibers, synthetic fibers, silks, wools, etc. Light and dark clothes should also be separated.

▲ NOTE: New, colored fabrics should be washed separately.

- Accessories: Loose accessories on some clothes may become damaged and/or damage the washing machine. Clothes that contain buttons or embroideries should be turned inside-out before being washed.
- Fasteners: Zippers must be closed and buttons or hooks must be firmly affixed. Any loose bands or ribbons should be tied together before being washed.
- Water-proof materials: It is not recommended to wash water-proof fabrics as they may become damaged and/or cause damage to the washing machine and other items being washed.

REMOVE ALL LOOSE OBJECTS FROM CLOTHES

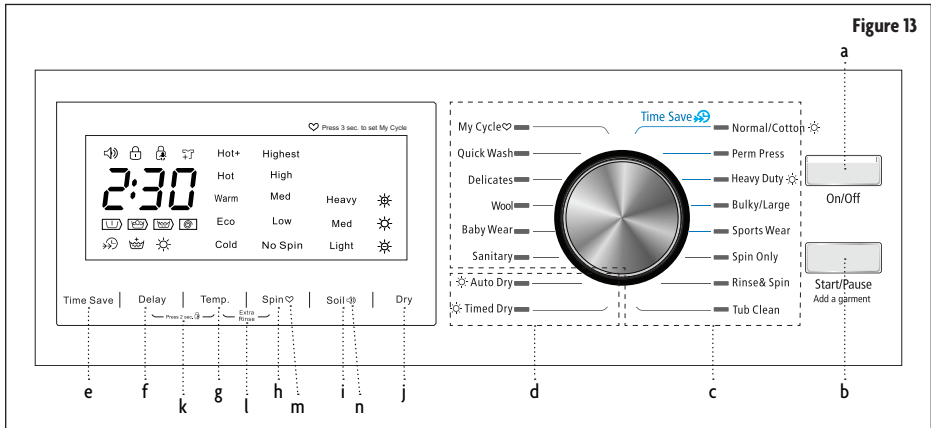
Check all pockets/compartments of clothes to be washed and remove any loose items such as coins. Loose items may damage the washing machine.

BALANCING THE LOAD

Washing large, heavy garments, such as towels, jeans, jackets etc., may cause an unbalanced load. It is suggested to add one or two more items to balance the load to allow smooth and complete draining.

OPERATING INSTRUCTIONS

CONTROL PANEL (FOR MCSCWD27W5 ONLY)



- a. On/Off: Press [On/Off] to turn the unit ON. Press the button again to turn the unit OFF.
 - ▲ **NOTE:** If the washer is programmed for a wash cycle and is not started within 10 minutes, the cycle will be cancelled and the unit will automatically turn OFF.
- b. Start/Pause: Press [Start/Pause] to start a wash cycle. Press [Start/Pause] again to pause the cycle when the washer is running. Press [Start/Pause] once more to resume. To add a garment after the wash cycle has started, push this button for 3 seconds before the water reached the bottom of the door. This can only be done in the beginning of the cycle before the water reached the bottom of the door. Wait for the drum to stop and the door to unlock, then add item(s). Close door and press [Start/Pause] to continue washing.
- c. Wash Cycles
 1. My Cycle: Select this option to save a commonly used washing program as a preset.
 - To program, select the settings you wish to use, and then press and hold [Spin] for 3 seconds to save.
 2. Quick Wash: Select this option to wash small loads of clothing that are not very dirty quickly.
 3. Delicates: Select this option for delicate fabrics such as dress shirts, nylons, etc.
 - Wash cycle operates at a lower temperature.
 4. Wool: Only use this option to wash wool clothing articles labeled “Machine Washable”.
 - Proper detergent and water temperature must be selected for wool textiles.
 - Lower spin speed and less agitation
 5. Baby Wear: For washing infant clothing
 6. Sanitary: Uses hot water to allow enzymes in detergent to work more efficiently for hard to clean or heavily soiled items.
 7. Normal/Cotton: Select this option for regularly used cottons and fabrics.
 - Extended wash cycle with stronger intensity
 - Recommended fabrics: cotton, linens, bed sheets, t-shirts, towels, jeans, etc.
 - **Dry cycle can be added.**

8. Perm Press: Moderate strength wash cycle. Used to reduce wrinkles in clothes from washing.
9. Heavy Duty: Select this option for washing heavy clothing.
 - **Dry cycle can be added.**
10. Bulky/Large: Select this option for bulky/large items.
 - Extended wash cycle
11. Sports Wear: Select this option for sportswear.
 - Wash cycle cleans heavily soiled clothes.
12. Spin Only: Select this option to spin a load separately from a regular wash cycle.
 - Soap water or rinse water must be drained before spinning.
13. Rinse & Spin: Select this option to rinse and spin a load separately from a regular wash cycle.
 - This can be helpful in preventing fresh stains from setting in fabrics.
14. Tub Clean: Select this option to clean the wash tub. This program uses high temperatures to sterilize the tub while removing built up detergent and residues. Add bleach for a better clean. This program should be used at least once a month with regular use. **DO NOT** add any clothes or wash items for this program.

d. Dry Cycles

▲ NOTE: Maximum drying load size is smaller than wash load size. Be sure to note the drying load size when using.

- Auto Dry: Select this option to have dry cycle automatically set based on the load. Auto Dry program has a 12 minute spin cycle and 45 minute cool air cycle. It is recommended to dry in multiple, smaller loads to allow for better performance.
- Timed Dry: Select this option to set dry cycle time manually. Timed Dry programs include a 12 minute spin and 25 minute cool period. It is recommended to dry in multiple, smaller loads to allow for better performance.

Time in Minutes	Capacity
58	1.8 lbs. (0.8 kg)
88	2.2 lbs. (1.0 kg)
199	6.6 lbs. (3.0 kg)

▲ NOTE: Important Notes for Dry Cycles

For Wash only, unit can be filled to the Max. Washing Capacity, however, load sizes less than the Max. Wash Capacity can improve performance and efficiency.

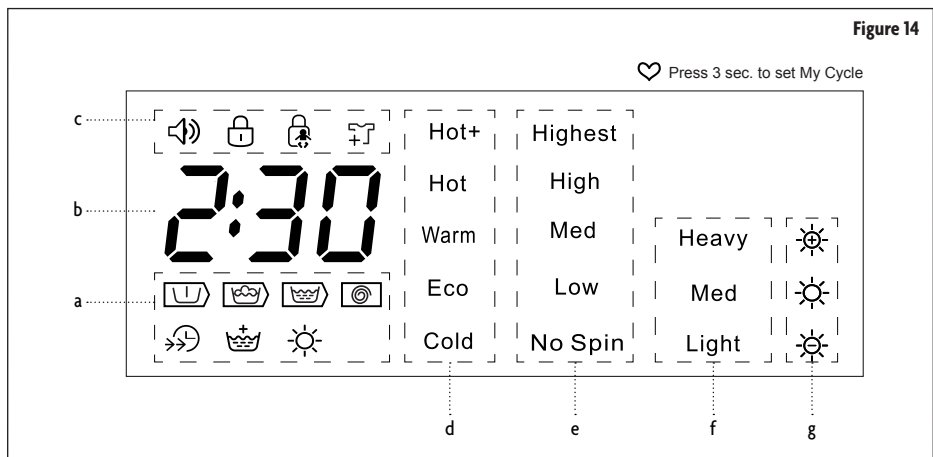
For Wash cycles plus Dry cycles or Dry only cycles, unit should not be filled over the Max. Dry Capacity to allow the dry function to work effectively. Load sizes less than the maximum capacity will improve the drying performance of the combo unit.

DO NOT cut off water supply or remove hose attachments during dry cycle. This is a ventless unit that releases moisture during dry cycles. The dryer is equipped with a door-locking safety feature to ensure safe temperatures and avoid burns and other safety hazards. The door will remain LOCKED during dry cycle until the unit reaches a safe temperature. After a safe temperature is reached, the door should open and function normally.

- e. Time Save: Press [Time Save] to decrease the washing time.
 - See Wash Cycle Parameters Table for programs that can use Time Save.
- f. Delay: Press [Delay] to set a delay time for the wash to begin.

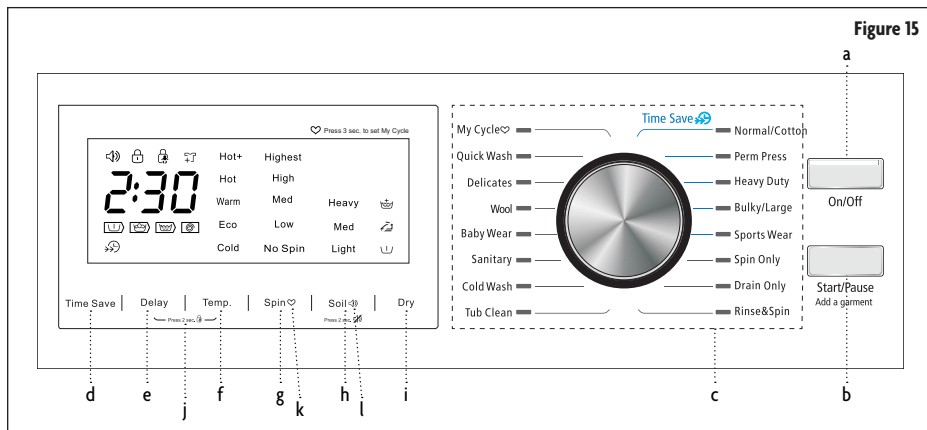
- The delay start light will flash to indicate the delay time. You can delay the start time of the cycle from 1 - 24 hours.
 - Set Wash program, Press Delay to set the number of hours to delay wash cycle, then push Start/Pause.
 - To cancel the delay time, press Delay button until time shows 0H.
- g. Temp.: Press [Temp.] to set your desired washing temperature.
- Press button to set desired wash temp (Hot+, Hot, Warm, Eco, Cold)
- h. Spin: Press [Spin] to increase spin speed.
- Washer drum spins at a speed up to 1300 RPM which reduces drying time and saves energy.
 - Press the button until desired speed is lit (No Spin, Low, Med, High, Highest).
 - Some fabrics (i.e. delicates) require a slower spin speed.
 - High spin speeds are not available on all cycles.
- i. Soil: Press [Soil] to increase time for heavier soiled items.
- There are three (3) soil levels options.
 - Each bar increases the base wash time by 15 minutes.
- j. Dry Level: Press the Dry button continuously to choose the dry level: Extra Dry/Normal Dry/Gentle Dry.
- k. Child Lock: Press [Delay] and [Temp] at the same time for 3 seconds to Unlock/Lock the control panel.
- On/Off Button will still function.
- l. Extra Rinse: Press the [Temp.] and [Spin] button at the same time to add an extra rinse to the selected cycle.
- m. My Cycle: After a wash cycle is modified, hold down [Spin] to save your settings.
- You can quickly choose this cycle for your next wash by turning the dial to My Cycle.
 - Override saved settings by holding the [Spin] button down again after a different cycle and options are selected.
- n. Sound: Press the [Soil] button for 3 seconds to turn the sound on or off.

DISPLAY (FOR MCSCWD27W5 ONLY)



- a. Cycle Indicator: Indicates stage of wash/dry cycle.
- : Prewash
 - : Wash
 - : Rinse
 - : Spin
 - : Time Save
 - : Extra Rinse
 - : Dry
- b. Clock: Indicates time left until the end of wash/dry cycle.
- c. Feature Indicator: Indicates features that are active.
- Sound: Indicates that sounds are on. When unlit, unit is muted.
 - Door Lock: Machine is locked for duration of cycle.
 - Child Lock: Child lock is on.
 - Add a Garment
- d. Water Temperature: Indicates the selected temperature.
- e. Spin Speed: Indicates the selected spin speed.
- f. Soil Level Indicator: Indicates the selected soil level.
- g. Dry Level: Indicated the selected dry level.
- Extra Dry
 - Normal Dry
 - Gentle Dry
- ▲ **NOTE:** Maximum drying load size is smaller than wash load size.

CONTROL PANEL (FOR MCSFLW27W ONLY)



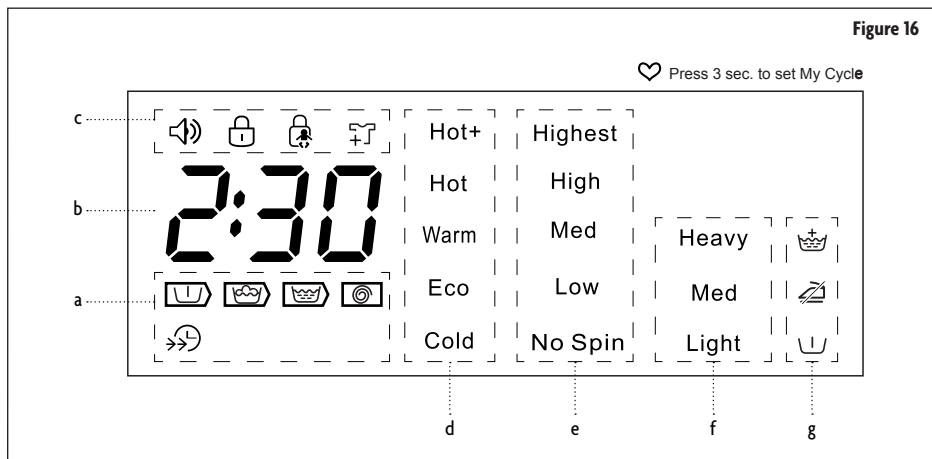
- a. On/Off: Press [On/Off] to turn the unit ON. Press the button again to turn the unit OFF.
- ▲ **NOTE:** If the washer is programmed for a wash cycle and is not started within 10 minutes, the cycle will be cancelled and the unit will automatically turn OFF.
- b. Start/Pause: Press [Start/Pause] to start a wash cycle. Press [Start/Pause] again to pause the cycle when the washer is running. Press [Start/Pause] once more to resume. To add a garment after the wash cycle has started, push this button for 3 seconds before the drum has filled with water. This can only be done in the beginning of the cycle before the water reached the bottom of the door. Wait for the drum to stop and the door to unlock, then add item(s). Close door and press [Start/Pause] to continue washing.
- c. Wash Cycles
1. My Cycle: Select this option to save a commonly used washing program as a preset.
 - To program, select the settings you wish to use, and then press and hold [Spin] for 3 seconds to save.

2. Quick Wash: Select this option to wash small loads of clothing that are not very dirty quickly.
 3. Delicates: Select this option for delicate fabrics such as dress shirts, nylons, etc.
 - Wash cycle operates at a lower temperature.
 4. Wool: Only use this option to wash wool clothing articles labeled “Machine Washable”.
 - Proper detergent and water temperature must be selected for wool textiles.
 - Lower spin speed and less agitation
 5. Baby Wear: For washing infant clothing
 6. Sanitary: Uses hot water to allow enzymes in detergent to work more efficiently for hard to clean or heavily soiled items.
 7. Cold Wash: Only uses cold water.
 8. Tub Clean: Select this option to clean the wash tub. This program uses high temperatures to sterilize the tub while removing built up detergent and residues. Add bleach for a better clean. This program should be used at least once a month with regular use. DO NOT add any clothes or wash items for this program.
 9. Normal/Cotton: Select this option for regularly used cottons and fabrics.
 - Extended wash cycle with stronger intensity
 - Recommended fabrics: cotton, linens, bed sheets, t-shirts, towels, jeans, etc.
 10. Perm Press: Moderate strength wash cycle. Used to reduce wrinkles in clothes from washing.
 11. Heavy Duty: Select this option for washing heavy clothing.
 12. Bulky/Large: Select this option for bulky/large items.
 - Extended wash cycle
 13. Sports Wear: Select this option for sportswear.
 - Wash cycle cleans heavily soiled clothes.
 14. Spin Only: Select this option to spin a load separately from a regular wash cycle.
 - Soap water or rinse water must be drained before spinning.
 15. Drain Only: Used to drain any water in the unit.
 16. Rinse & Spin: Select this option to rinse and spin a load separately from a regular wash cycle.
 - This can be helpful in preventing fresh stains from setting in fabrics.
- d. Time Save: Press [Time Save] to decrease the washing time.
- See Wash Cycle Parameters Table for programs that can use Time Save.
- e. Delay: Press [Delay] to set a delay time for the wash to begin.
- The delay start light will flash to indicate the delay time. You can delay the start time of the cycle from 1 - 24 hours.
 - Set Wash program, Press Delay to set the number of hours to delay wash cycle, then push Start/Pause.
 - To cancel the delay time, press Delay button until time shows 0H.
- f. Temp.: Press [Temp.] to set your desired washing temperature.
- Press button to set desired wash temp (Hot+, Hot, Warm, Eco, Cold)
- g. Spin: Press [Spin] to increase spin speed.
- Washer drum spins at a speed up to 1300 RPM which reduces drying time and saves energy.
 - Press the button until desired speed is lit (No Spin, Low, Med, High, Highest).
 - Some fabrics (i.e. delicates) require a slower spin speed.
 - High spin speeds are not available on all cycles.

- h. Soil: Press [Soil] to increase time for heavier soiled items.
 - There are three (3) soil levels options.
 - Each bar increases the base wash time by 15 minutes.
- i. Function: Use to select functions during the wash cycle
- j. Child Lock: Press [Delay] and [Temp] at the same time for 3 seconds to Unlock/Lock the control panel.
 - On/Off Button will still function.
- k. My Cycle: After a wash cycle is modified, hold down [Spin] to save your settings.
 - You can quickly choose this cycle for your next wash by turning the dial to My Cycle.
 - Override saved settings by holding the [Spin] button down again after a different cycle and options are selected.
- l. Sound: Press the [Soil] button for 3sec. to turn the sound on or off.

DISPLAY (FOR MCSFLW27W ONLY)

Figure 16





- a. Cycle Indicator: Indicates stage of wash/dry cycle.
 - : Prewash
 - : Wash
 - : Rinse
 - : Spin
 - : Time Save
- b. Clock: Indicates time left until the end of wash/dry cycle.
- c. Feature Indicator: Indicates features that are active.
 - Sound: Indicates that sounds are on. When unlit, unit is muted.
 - Door Lock: Machine is locked for duration of cycle.
 - Child Lock: Child lock is on.
 - Add a Garment
- d. Water Temperature: Indicates the selected temperature.
- e. Spin Speed: Indicates the selected spin speed.
- f. Soil Level Indicator: Indicates the selected soil level.
- g. Additional Functions: Indicates additional functions selected.
 - Extra Rinse
 - Easy Iron
 - Prewash


WASH CYCLE PARAMETERS

WASH CYCLE PARAMETERS (FOR MCSCWD27W5 ONLY)

▲ **NOTE:** Maximum drying load size is smaller than wash load size.

Program	Max. Washing/Drying Load in lbs (kgs)	Temp	Default Time (H:M)	Time Save	Extra Rinse	Delay	Soil Level	Spin Speed
 Normal/Cotton	26.4/17.6 (12.0/8.0)	Warm	1:04	○	-	○	-	Med
Perm Press	13.2 (6.0)	Warm	1:35	○	○	○	Light	Low
 Heavy Duty	26.4/17.6 (12.0/8.0)	Hot	2:36	○	○	○	-	Med
Bulky/Large	13.2 (6.0)	Warm	2:18	○	○	○	Light	Med
Sports Wear	13.2 (6.0)	Warm	2:08	○	○	○	Light	Med
Spin Only	26.4 (12.0)	-	0:12	-	-	○	-	High
Rinse & Spin	26.4 (12.0)	-	0:20	-	○	○	-	High
Tub Clean	-	Hot +	1:58	-	-	○	-	-
 Timed Dry	1.1/2.2/5.5 (0.5/1.0/2.5)	-	1:28	-	-	○	-	Highest
 Auto Dry	17.6 (8.0)	-	4:18	-	-	○	-	Highest
Sanitary	13.2 (6.0)	Hot	3:09	-	○	○	-	Med
Baby Wear	26.4 (12.0)	Eco	1:39	-	○	○	Light	Med
Wool	4.4 (2.0)	Warm	1:37	-	○	○	-	Low
Delicates	5.5 (2.5)	Eco	1:00	-	○	○	-	Low
Quick Wash	4.4 (2.0)	Cold	0:20	-	-	○	-	Med

▲ **NOTE:** ○ is Optional Function.

▲ **NOTE:**  is Dry function.

WASH CYCLE PARAMETERS (FOR MCSFLW27W ONLY)

Program	Max. Wash Load in lbs (kgs)	Temp	Default Time (H:M)	Spin Speed	Time Save	Extra Rinse	Easy Iron	Pre- wash	Delay
Normal/Cotton	26.5 (12.0)	Warm	1:04	Med	-	-	○	-	○
Perm Press	13.2 (6.0)	Warm	1:35	Low	○	○	●	-	○
Heavy Duty	26.5 (12.0)	Hot	2:36	Med	○	○	○	○	○
Bulky/Large	13.2 (6.0)	Warm	2:18	Med	○	○	○	○	○
Sport Wear	13.2 (6.0)	Warm	2:08	Med	○	○	○	○	○
Spin Only	26.5 (12.0)	-	0:12	High	-	-	○	-	○
Drain Only	26.5 (12.0)	-	0:01	-	-	-	-	-	○
Rinse & Spin	26.5 (12.0)	-	0:20	High	-	○	○	-	○
Tub Clean	-	Hot	1:58	-	-	-	-	-	○
Cold Wash	26.5 (12.0)	Cold	1:42	Med	○	○	○	○	○
Sanitary	13.2 (6.0)	Hot	3:09	Med	-	○	○	●	○
Baby Wear	26.5 (12.0)	Eco	1:39	Med	○	○	○	○	○
Wool	4.4 (2.0)	Warm	1:37	Low	-	○	○	-	○
Delicates	5.5 (2.5)	Eco	1:00	Low	-	-	-	-	○
Quick Wash	4.4 (2.0)	Cold	0:20	Med	-	-	-	-	○

▲ NOTE: ○ is Optional Function.

▲ NOTE: ● is Required Function.

▲ NOTE: ENERGY TEST PROGRAM - NORMAL/COTTON

“Normal/Cotton” is the standard washing program to which the information in the label and energy guide relates, and is suitable to clean normally soiled cotton laundry and is the most efficient program in terms of combined energy and water consumptions for washing that type of laundry. The actual water temperature may differ from the declared cycle temperature.

▲ NOTE: The parameters in this table are only for user’s reference. The actual parameters may vary from the parameters in above table.

POWER LOSS MEMORY FUNCTION

In the event of the loss of power, the washer will automatically resume operation from previous settings when power is restored.

CARE AND MAINTENANCE

Before doing any maintenance, be sure to remove the power plug from the outlet and close the tap.

▲ WARNING:

- DO NOT use solvents to clean the unit. The washing machine can be damaged, or toxic gasses may be produced.
- NEVER spray water on the washing machine to clean it.
- DO NOT use detergents that contain PCMX to clean the washing machine.
- Certain internal parts are intentionally not grounded and may present a risk of electric shock only during servicing. Service Personnel – DO NOT contact the following parts while the appliance is energized: Drain Pump, Door Lock, Drying Heater (Combo), Fan Motor (Combo).

CLEANING AND MAINTENANCE OF WASHING MACHINE CABINET

Proper maintenance on the washing machine can extend its working life. The surface can be cleaned with diluted non-abrasive neutral detergents when necessary. If there is any water overflow, use a cloth to wipe it off immediately. DO NOT allow sharp items to strike the cabinet.

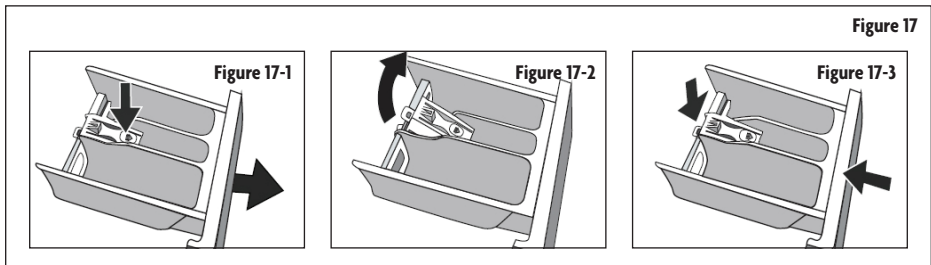
▲ NOTE: DO NOT use formic acid and its diluted solvents or equivalent.

CLEANING THE INTERNAL DRUM

Any rust left inside the drum by the metal articles should be cleaned out immediately with chlorine-free detergents. DO NOT use steel wool.

CLEAN DETERGENT BOX

1. Open Detergent box.
2. Press down the arrow and slide out assembly. (Figure 17-1)
3. Lift the clip and remove softener cover and wash all sections with water. (Figure 17-2)
4. Replace the softener cover and push the drawer back into position. (Figure 17-3)



CLEAN INLET FILTER

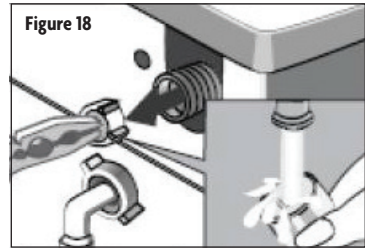
Inlet filter maybe need to be cleaned if there is insufficient or no water in when the tap is opened.

To clean the filter:

1. Close the tap.
2. Select any procedure except “Wash” or “Drain” procedure.
3. Press the button “Start/Pause” and keep the procedure running for about 40 seconds.
4. Remove the inlet pipe from the tap.
5. Wash the filter with water
6. Reconnect the inlet pipe.

WASHING THE FILTER IN WASHING MACHINE

1. Remove the inlet pipe from the rear of the machine.
2. Pull out the filter with needle nose pliers rinse with water.
3. Put the filter back into place.
4. Reconnect the inlet pipe.
5. Open the tap and make sure there is no water leakage.
6. Close the tap.



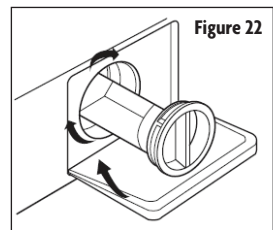
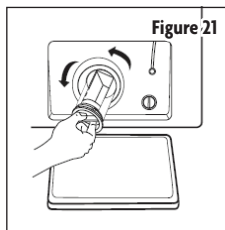
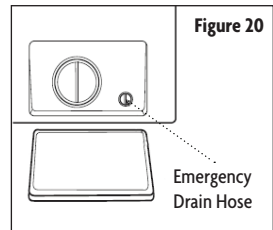
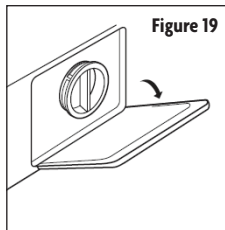
REMOVING FOREIGN ITEMS FROM DRAIN PUMP FILTER

The drain pump filter can filter small foreign matters from clothing being washed. Clean the filter periodically to ensure the normal operation of washing machine.

The pump should be inspected if the machine does not empty and/or spin, or if it makes unusual noises during draining due to objects (such as, coins etc.) blocking the pump.

To access and clean the filter:

1. Open the lower access cover. (Figure 19)
2. Remove the emergency drain hose cap and let water drain out. It is recommended to have a vessel ready to catch remaining water. (Figure 20)
3. Replace emergency drain hose, and open the filter by turning counter-clockwise. (Figure 21)
4. Remove any objects in filter and replace, locking in by turning clockwise. (Figure 22)



▲ WARNING: To avoid burning, it shall be done after the hot water inside the machine cools down.

▲ WARNING: When the appliance is in use and depending on the program selected there may be hot water in the pump. Never remove the pump cover during a wash cycle, always wait until the appliance has finished the cycle, and is empty. When replacing the cover, ensure it is securely in place.

THAW A FROZEN WASHING MACHINE

If the temperature drops below zero and your washing machine gets frozen, you may:

1. Disconnect the power supply for the washing machine.
2. Wash the tap connection with warm water to loosen inlet pipe.

3. Remove the inlet pipe and immerse it in warm water.
4. Pour warm water into washing drum and wait for 10 minutes.
5. Reconnect inlet pipe to the tap and check whether inlet and outlet are working normally.

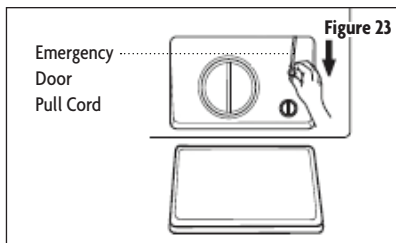
▲ NOTE: when the washing machine is reused, make sure the ambient temperature is above 32 °F (0 °C).

TO PREVENT FREEZING

If your washing machine is located in the room where it can get frozen easily, please drain the remaining water inside drain pipe and inlet pipe thoroughly.

Remove the remaining water in inlet pipe:

1. Close the tap.
2. Screw off the inlet pipe from tap and put its end into the container.
3. Start up any procedure except single Wash or Drain procedure. Water will be drained out of inlet pipe if any for about 40 seconds.
4. Reconnect the inlet pipe to tap.



EMERGENCY DOOR RELEASE

In the case of a power failure or other circumstances and door cannot be opened, if it is necessary to open the door, pull down on the cord inside the access panel. Be sure to restore the pull cord after opening the door.

▲ CAUTION: The emergency switch pull cord cannot be used during washing. If unit is in operation, wait for it to stop and for the interior to cool to a safe temperature before opening door.

TROUBLESHOOTING

ALARM CODE DETECTION

Alarm Code	Cause of Problem	Solution
E30	Door is not properly closed.	Check if clothes are stuck in door. Close door and restart.
E10	Problem with water flow.	Check if the water pressure is too low. Make sure inlet hose is not bent or blocked. Check if the inlet valve filter is blocked.
E21	Water taking too long to drain.	Check if the drain hose is blocked.
E12	Water overflow.	Restart the washer.
EXX	Other	Restart machine to clear. Call customer service if code persists.

▲ NOTE: After trying the solution, restart the washing machine. If code persists, contact customer service.

When the washing machine needs servicing, please contact our customer service department, and a representative will try to diagnose the issue. Please do not dismantle the washing machine without prior permission. Doing so will void your warranty.

If the washing machine fails to operate properly, or it sounds an alarm, please check the following guidelines for possible solutions to common problems or alarm indicators.

LIST OF PROBLEMS AND POSSIBLE SOLUTIONS

Problem	Cause	Solution
Washing machine will not start .		Check if the door is closed tightly.
		Check if power plug is properly inserted.
		Check if water supply is open.
		Check if “On/Off” button is pressed.
		Check if “Start/Pause” button is pressed.
Door cannot be opened.	Safety lock is engaged.	Disconnect the power.
Heating fault	NTC thermistor is damaged and heating pipe is worn.	Contact customer service.
Water leakage	The connection between inlet pipe or outlet hose and tap or washing machine is not tight.	Check and fasten water pipes.
	Drain pipe is blocked.	Clean up outlet hose and drain.
Water overflowing from the bottom of the Machine	The inlet pipe is not connected firmly.	Fix the inlet pipe.
	Outlet hose has water leakage.	Replace the drain hose.
Indicator or display do not light.	Power is disconnected.	Check if plug is connected correctly and power is on.
	PC board has problems.	Contact customer service.
	Harness has connection problem.	

Detergent residue in the detergent box	Washing powder is damp and hardened.	Clean and wipe the box.
		Use liquid detergents or the detergents special for hi efficiency front load washer.
Clothes not clean enough	The clothes are too dirty.	Select a proper washing program.
	Insufficient detergent quantity	Make sure to follow instructions for adding detergent amount.
Abnormal noises or vibration		Make sure the transport bolts are removed.
		Make sure cabinet is installed on solid, level surface.
		Check for any foreign items in the unit.
		Make sure leveling legs are level.



LIMITED WARRANTY

MC Appliance Corporation warrants each new Washer and Combo Washer/Dryer to be free from defects in material and workmanship, and agrees to remedy any such defect or to furnish a new part(s), at the company's option, for any part(s) of the unit that has failed during the warranty period. Parts and labor expenses are covered on this unit for a period of one year from the date of purchase. A copy of the dated sales receipt/invoice is required to receive warranty service, replacement or refund.

This warranty covers appliances in use within the contiguous United States, Alaska, Hawaii and Puerto Rico. This warranty does not cover the following:

- Damages due to shipping damage or improper installation.
- Damages due to misuse or abuse.
- Content losses due to failure of the unit.
- Inside components such as filters, etc.
- Repairs performed by unauthorized service agents.
- Service calls that do not involve defects in material and workmanship such as instructions on proper use of the product or improper installation.
- Replacement or resetting of house fuses or circuit breakers.
- Failure of this product if used for other purposes than its intended purpose.
- Disposal costs for any failed unit not returned to our factory.
- Any delivery/installation costs incurred as the result of a unit that fails to perform as specified.
- Expenses for travel and transportation for product service if your appliance is located in a remote area where service by an authorized service technician is not available.
- The removal and reinstallation of your appliance if it is installed in an inaccessible location or is not installed in accordance with published installation instructions. Service may not be available on units installed in nontraditional housing locations (ie. boats, etc.)
- Refunds for non repairable products are limited to the price paid for the unit per the sales receipt.
- This warranty is non transferable. This warranty applies only to the original purchaser and does not extend to any subsequent owner(s).

Limitations of Remedies and Exclusions:

Product repair in accordance with the terms herein, is your sole and exclusive remedy under this limited warranty. Any and all implied warranties including merchantability and fitness for a particular purpose are hereby limited to one year or the shortest period allowed by law. MC Appliance Corporation is not liable for incidental or consequential damages and no representative or person is authorized to assume for us any other liability in connection with the sale of this product. Under no circumstances is the consumer permitted to return this unit to the factory without the prior written consent of MC Appliance Corporation.

Some states prohibit the exclusion or limitation of incidental or consequential damages, or limitations on implied warranties. This warranty gives you specific legal rights, and you may also have other rights which vary from state to state.

Model	Parts	Labor	Type of Service
MCSCWD27W5	One Year	One Year	In Home
MCSFLW27W			

For Service or Assistance please call **888-775-0202** or visit us on the web at www.mcpliance.com to request warranty service or order parts.



**CNA International, Inc. d/b/a MC Appliance Corporation. All rights reserved.
Magic Chef® logo is a registered trademark of CNA International, Inc.**

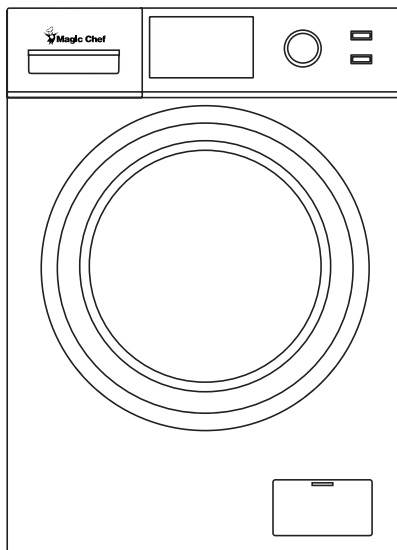
www.mcappliance.com

Printed in China



Combo de Lavadora y Secadora de 24” Lavadora de carga frontal de 24”

Manual del usuario



Model MCSCWD27W5 / MCSFLW27W

**LEA ESTE MANUAL ANTES DE UTILIZAR SU LAVADORA Y SECADORA Y
GUÁRDELO PARA FUTURA REFERENCIA.**



REGISTRACIÓN DEL PRODUCTO

Gracias por comprar el producto Magic Chef®. El primer paso para proteger su nuevo producto es completar la forma de registración en nuestra pagina web: www.mcappliance.com/register. Los beneficios de registrar su producto incluyen lo siguiente:

1. Al registrar su producto nos permite contactarle para notificarle de un cambio de seguridad o actualización del producto.
2. Si llegara a necesitar servicio bajo garantía, registrando su producto nos permite ser más eficiente en procesar el servicio.
3. En el evento que usted tenga una perdida que esta cubierto por un seguro, registrando su producto puede servir como prueba de su compra.

Una vez más gracias por comprar un producto marca Magic Chef®.

ÍNDICE

REGISTRACIÓN DEL PRODUCTO	27
INSTRUCCIONES DE SEGURIDAD IMPORTANTES	29
ESPECIFICACIONES	32
INSTRUCCIONES DE INSTALACIÓN	33
ANTES DE USAR	36
INSTRUCCIONES DE FUNCIONAMIENTO	37
PARÁMETROS DE CICLOS DE LAVADO	44
CUIDADO Y MANTENIMIENTO	46
SOLUCIÓN DE PROBLEMAS	49
GARANTÍA LIMITADA	51

INSTRUCCIONES DE SEGURIDAD IMPORTANTES

Este manual contiene Instrucciones de seguridad, Instrucciones de instalación y operación, y Consejos para solucionar problemas. Por favor, léalo cuidadosamente antes de utilizar la lavadora para conocer las instrucciones sobre cómo utilizar y mantener el producto adecuadamente. Asegúrese de seguir las instrucciones de seguridad para evitar lesiones o daños al producto.

Guarde este manual. Al transferir o vender el aparato a un tercero, el manual debe entregarse junto con el aparato.

Antes de contactar a servicio técnico, cerciórese de que el equipo haya sido instalado y se esté usando de manera correcta, y lea la sección de solución de problemas.

▲ ADVERTENCIA: Siga las precauciones que se indican a continuación al utilizar el aparato.

▲ NOTA: Las especificaciones pueden cambiar en cualquier momento sin aviso previo.

Advertencias según la Propuesta 65 del Estado de California

▲ ADVERTENCIA: La Ley de Ejecución sobre Materiales Tóxicos y Agua Potable Segura de California establece que el gobernador de California deberá publicar una lista de sustancias sobre las que el Estado de California tenga información de que producen cáncer, defectos congénitos y otros daños reproductivos, y establece que los comercios deberán advertir sobre las posibles exposiciones a tales sustancias. Este producto contiene una sustancia química que el Estado de California sabe que produce cáncer, defectos congénitos y otros daños reproductivos. Este aparato puede ocasionar bajos niveles de exposición a algunas de las sustancias que se encuentran en la lista, incluidos benceno, formaldehído y monóxido de carbono.

1. Lea todas las instrucciones antes de utilizar este producto.
2. Este aparato es solo para uso doméstico. No está diseñado para aplicaciones comerciales.
3. Este aparato está diseñado solamente para uso en interiores. NO lo utilice al aire libre.
4. NO use este electrodoméstico de una manera que no sea la prevista.
5. Use solo los detergentes o suavizantes recomendados en este manual y manténgalos fuera del alcance de los niños.
6. Esta máquina no es para ser usada por personas (incluidos los niños) con capacidad física, psíquica o sensorial reducida o falta de experiencia y conocimiento, a menos que hayan recibido supervisión o instrucción relativa al uso de la lavadora por parte de una persona responsable por su seguridad.
7. Este aparato debe instalarse correctamente, conforme a las instrucciones de instalación, antes de usarse.
8. NO desenchufe su aparato halando el cable de alimentación. Siempre sujete la clavija firmemente y sáquela derecha desde el tomacorriente.
9. No utilice ningún aparato que tenga un cable o enchufe dañado, si está dañado o funciona mal de algún modo o si el tomacorriente no funciona correctamente. Comuníquese con el servicio al cliente o con un técnico de servicio.
10. SIEMPRE apague y desenchufe el equipo del tomacorriente antes de repararlo, cambiarle accesorios o limpiarlo. Deje enfriar por completo el equipo antes de limpiarlo, moverlo o hacerle servicio. Apagar el equipo no lo desconecta de la fuente de poder.
11. NO coloque nada inflamable o explosivo dentro, sobre o cerca del aparato. NO lave prendas de ropa ni artículos empapados con químicos inflamables o explosivos. Para reducir el riesgo de incendio, no deberán colocarse en la lavadora ropa, trapos de limpieza, cabezales de mapas o elementos similares que tengan restos de cualquier sustancia inflamable, por ejemplo aceite de cocina, aceites derivados del petróleo o destilados, ceras, grasas, etc. Estos artículos pueden contener sustancias inflamables que, incluso después

del lavado, pueden crear humo o incendiarse. NO seque artículos que contengan goma de espuma o materiales con textura similar a la goma.

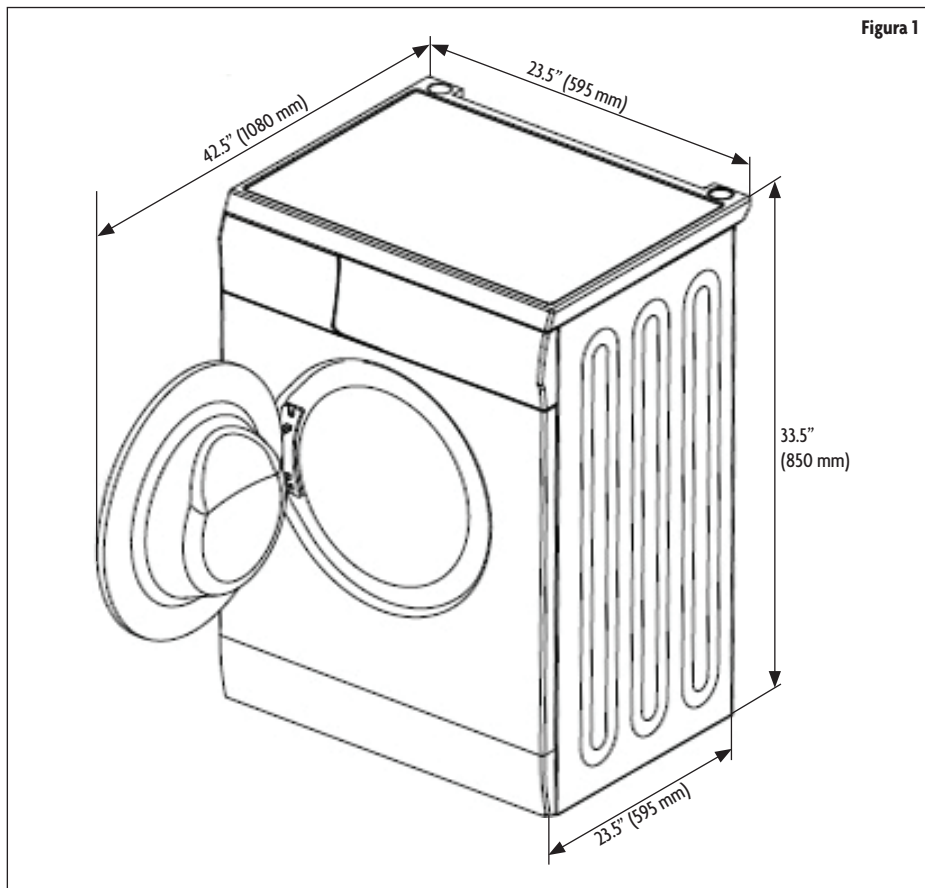
12. SIEMPRE espere que el tambor la lavadora se detenga por completo completamente antes de meter la mano para colocar o sacar prendas.
13. La puerta de carga debe estar cerrada mientras el tambor esté centrifugando.
14. NO utilice esta lavadora a menos que todos los paneles de cierre estén instalados correctamente.
15. NO manipule ni modifique los controles.
16. **▲ ADVERTENCIA:** Existe el riesgo de que un niño quede atrapado. NO permita que los niños jueguen encima o dentro del aparato. Es necesario vigilar de cerca a los niños cuando se utilice el aparato cerca de ellos.
17. Este electrodoméstico debe enchufarse en un tomacorriente adecuadamente instalado y conectado a tierra, que cumpla con los requisitos de voltaje indicados en la etiqueta de especificaciones eléctricas.
18. **▲ PRECAUCIÓN:** El cable eléctrico está equipado con un enchufe de 3 puntas conectado a tierra para protegerlo de peligros de descarga eléctrica. SIEMPRE conecte el cable a un receptor de pared a tierra de tres espigas instalado correctamente y NO elimine la espiga a tierra.
19. Bajo ciertas circunstancias, se podría producir gas de hidrógeno en un sistema de agua caliente para el hogar que no se haya usado por dos semanas o más. El gas de hidrógeno es altamente explosivo. Si el sistema de agua caliente no se ha usado por más de dos semanas, abra todos los grifos de agua caliente y deje que salga el agua por varios minutos antes de usar la lavadora compacta.
20. NO altere ni repare el equipo usted mismo. De ser necesario, comuníquese con el servicio al cliente o con un técnico de servicio calificado.
21. Para reducir el riesgo de descarga eléctrica o incendio, no use un prolongador ni un adaptador de tomacorriente para conectar el equipo a una fuente de energía eléctrica. El aparato debe estar conectado a tierra correctamente usando un tomacorriente de pared de tres puntas.
22. NO instale la lavadora en un área húmeda o mojada, o donde pueda mojarse o esté expuesta a las condiciones meteorológicas externas. NO la limpie utilizando atomizadores de agua.
23. NO sienta niños en la parte superior ni permita que niños o mascotas se suban a la lavadora. Revise SIEMPRE el interior antes de usarla.
24. La puerta de vidrio podría estar muy caliente durante la operación. Mantenga a los niños y mascotas alejados de la lavadora mientras esté en uso.
25. Limpie regularmente el enchufe para eliminar polvo y sucio y así evitar fallas eléctricas.
26. Se recomienda desconectar el equipo cuando no esté en uso.
27. SIEMPRE asegúrese de conectar de forma correcta y segura el cable eléctrico al tomacorriente y las mangueras de agua para evitar fugas o descarga eléctrica.
28. NO opere el equipo, ni manipule el enchufe con las manos húmedas.
29. La temperatura del agua de la lavadora no debería exceder los 131 °F (55 °C).
30. NO lave impermeables, abrigos gruesos ni artículos pesados similares.
31. NO lave a máquina materiales de fibra de vidrio (como cortinas y decoraciones para ventanas que contengan materiales de fibra de vidrio). Pequeñas partículas podrían permanecer en la lavadora y pegarse a las telas en las tandas siguientes, lo que puede causar irritación de la piel.
32. Cuando vaya a desechar el aparato o ponerlo fuera de servicio, asegúrese de quitar la puerta de el equipo y cortar el cable de alimentación.
33. NO introduzca las manos en el tambor de lavado si el agitador se está moviendo.

34. ▲ PRECAUCIÓN: El contenido puede estar CALIENTE cuando el ciclo de lavado y/o secado haya terminado.

**LEA ESTA INFORMACIÓN DE SEGURIDAD
Y SÍGALA CUIDADOSAMENTE
GUARDE ESTAS INSTRUCCIONES**

ESPECIFICACIONES

Figura 1



Altura	33.5" (850 mm)
Anchura	23.5" (595 mm)
Profundidad	23.5" (595 mm)
Profundidad con puerta abierta	42.5" (1080 mm)
Peso	160.9 lbs. (73.0 kg)
Tensión/Frecuencia	en c.a. 120V-60Hz
Corriente nominal	11.0A
Máx. capacidad de lavado	26.4 lbs. (12.0 kg)
Máx. capacidad de secado (solamente para MCSCWD27W5)	17.6 lbs. (8.0 kg)
Tamaño del tambor	2.7 pies cúbicos

INSTRUCCIONES DE INSTALACIÓN

1. La lavadora debe estar adecuadamente conectada a tierra. En el caso de corto circuito, la conexión a tierra puede reducir el peligro de descarga eléctrica.
2. La lavadora deberá ser operada en un circuito separado de otros aparatos eléctricos.

PIEZAS INCLUIDAS

Antes de iniciar la instalación, corroborar que el paquete que se encuentra dentro del tambor contiene todas las piezas incluidas.

REQUISITOS DE INSTALACIÓN

REQUISITOS ELÉCTRICOS

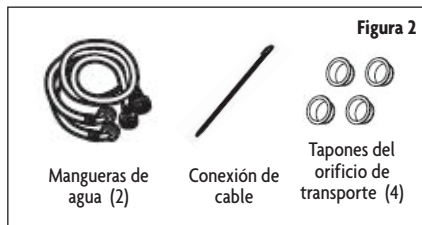
1. Se requiere un suministro eléctrico de 120 v, 60 Hz, c.a. de 15 o 20 amp, con fusible. Se debería usar un fusible con retardo de tiempo o un circuito que solo sirva a este aparato.
2. Esta lavadora viene con un cable de alimentación con enchufe de conexión a tierra de tres puntas.
3. Para minimizar posibles peligros de descarga, el cable deberá estar enchufado dentro de un tomacorriente de tres puntas, adecuadamente conectado a tierra y de acuerdo con la codificación y ordenanzas locales. Si no se dispone de un tomacorriente adecuado, es responsabilidad del cliente hacer que un electricista calificado instale un tomacorriente adecuadamente conectado a tierra.
4. Si los códigos permiten y se utiliza un cable a tierra separado, se recomienda que un electricista calificado determine si la descarga a tierra es adecuada.
5. NO HACER MASA en una tubería de gas.
6. Verifique con un técnico calificado si usted no está seguro si la lavadora está correctamente conectada a tierra.
7. NO COLOCAR un fusible en el circuito neutro o en el circuito de puesta a tierra.
8. Ciertas partes internas no han sido puestas a tierra intencionalmente y podrían presentar el riesgo de descarga eléctrica solamente durante el servicio técnico. Personal de servicio técnico: no toque las siguientes piezas mientras el aparato está energizado: Bomba de desagüe, bloqueo de la puerta, calentador de secado (combo), motor del ventilador (combo).

REQUISITOS DE UBICACIÓN

El seleccionar la ubicación correcta de la lavadora mejora el rendimiento, reduce el ruido al mínimo y evita su desplazamiento involuntario. La lavadora puede ser instalada bajo una mesada personalizada, en un sótano, lavadero, armario empotrado o en área con un hueco.

Usted necesitará:

- Un calentador de agua fijado a 120° F (49° C).
- Un tomacorriente eléctrico con toma a tierra situado a menos de 6 pies (1,8 m) del lugar donde el cable de alimentación está acoplado a la parte posterior de la lavadora.
- Grifos de agua fría y caliente situados dentro de 4 pies (1,2 m) de las válvulas de llenado de agua caliente y fría, con una presión de agua de 20 - 100 psi (137,9 - 689,6 kPa).
- Un suelo plano con una pendiente máxima de 1" (25 mm) debajo de la lavadora. No se recomienda la instalación de la lavadora en superficies de suelo blando, como alfombras ni superficies con refuerzo de espuma.



- Un piso sólido y resistente para soportar la lavadora, cuyo peso total (agua y tanda) es de 200 lb (90 kg).
- No utilice la lavadora a temperaturas inferiores a 32 °F (0 °C). Podría quedar algo de agua en la lavadora, ocasionándole daños en bajas temperaturas.
- La ubicación debe ser lo suficientemente grande para permitir que la puerta de la lavadora abra completamente. La puerta se abre más de 90° y no es reversible.
- Debe considerarse espacio adicional para una mayor facilidad de instalación y mantenimiento.
- Se recomienda espacio mínimo de 1" (25 mm) en todos los lados de la lavadora para reducir la transferencia de ruido.
- Pueden ser necesarios espacios libres adicionales para pared, puerta y molduras de piso.
- También debe considerarse el espacio para los aparatos acompañantes.

INSTALACIÓN

▲ PRECAUCIÓN: Los materiales de embalaje pueden ser peligrosos para los niños. Disponga de ellos correctamente y **NO DEJE** que los niños jueguen con ninguno de los materiales de embalaje.

Antes de utilizar esta lavadora, deben retirarse los pernos de transporte de la parte posterior de la máquina. Realice los siguientes pasos para quitar los pernos:

1. Afloje todos los pernos y, a continuación, quítelos.
2. Inserte los tapones de los orificios de transporte dentro de los orificios.
3. Conserve los pernos de transporte para uso futuro.

Asegúrese de quitar el pequeño triángulo de espuma junto con la pieza de espuma en el fondo. En caso contrario, coloque con cuidado el equipo hacia abajo y quítelo. Al desembalar la lavadora, verifique que no haya piezas faltantes o dañadas. Si faltara algún elemento, comuníquese con el servicio al cliente.

LEVELING THE WASHER

1. When positioning the washing machine, make sure the legs are screwed in close to the cabinet. If not, turn them to their original positions by hand or with a wrench and tighten the nuts with a wrench.
2. After positioning the washing machine, push on all four corners at the top of washing machine. If the washing machine has any wobble, or is not stable when being pressed, adjust the leg to level the machine.
3. To level the unit, loosen the lock nut with a wrench and turn the leg by hand until it tightly contacts with the floor. Press the leg with one hand and tighten the locking nut close to the cabinet with the other hand.
4. Repeat steps 2 and 3 as needed.
5. Use a bubble level to check front to back, side to side, and corner to opposite corner to ensure the washing machine is level. Repeat above steps if needed.

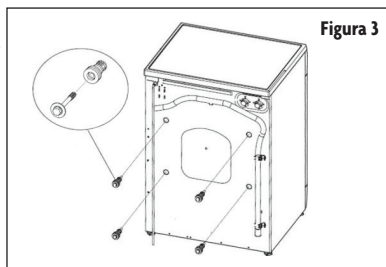


Figura 3

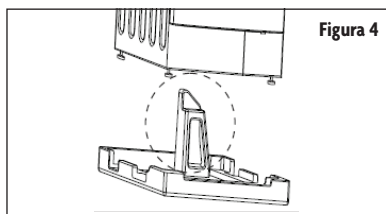


Figura 4

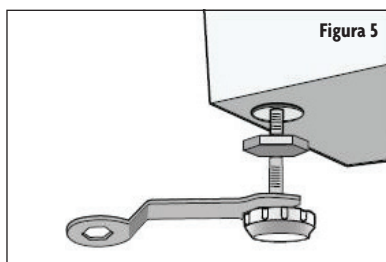


Figura 5

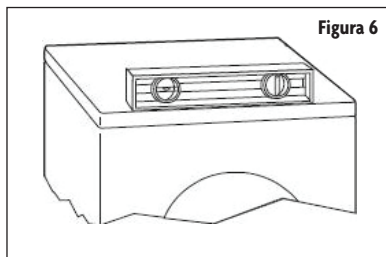


Figura 6

SISTEMA DE DESAGÜE

SISTEMA DE DESAGÜE VERTICAL - PARED O SUELO

El desagüe vertical requiere una tubería vertical con diámetro mínimo de 2" (5 mm). La capacidad mínima de transporte no puede ser menor a 17 galones (64 l) por minuto. La parte superior de la tubería vertical debe ser de al menos 24" (60 cm) de altura y no más de 39" (100 cm) desde la parte inferior de la lavadora.

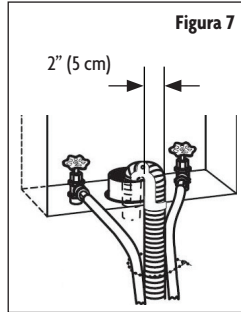


Figura 7

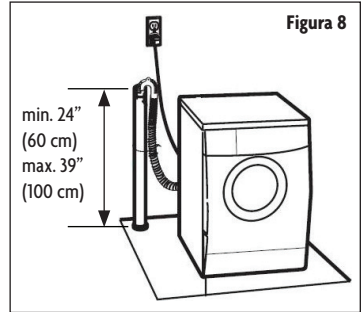


Figura 8

SISTEMA DE DESAGÜE DEL TAMBOR DE LAVADO

El tambor de lavado necesita una capacidad mínima de 20 galones (76 l). La parte superior del tambor de lavado debe estar al menos a 60 cm por encima del suelo.

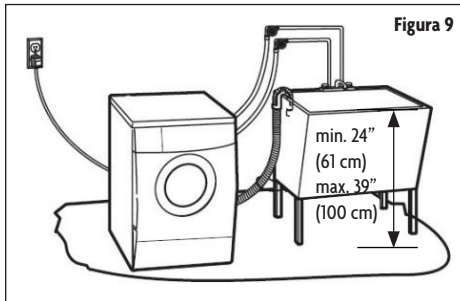


Figura 9

SISTEMA DE DESAGÜE DE PISO

El sistema de desagüe de piso requiere un interruptor de efecto sifón que puede adquirirse por separado. El interruptor de efecto sifón debe estar a un mínimo de 28" (71 mm) de la parte inferior de la lavadora. Podrían ser necesarias mangueras adicionales.

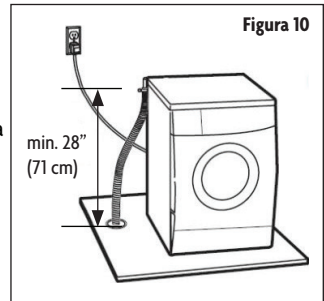


Figura 10

INSTALACIÓN DE MANGUERA DE ENTRADA DE AGUA

Conecte el extremo de la manguera de admisión de agua con el codo de 90° a la parte posterior de la lavadora y gire en sentido de las agujas del reloj para ajustar. Note la posición de las tomas de entrada de agua fría y caliente.

Conecte el otro extremo de la manguera de entrada de agua al grifo de agua fría o caliente correspondiente. Ajuste girando en sentido de las agujas del reloj y accione la válvula de agua para verificar si hay pérdida de agua. Si encuentra alguna pérdida, verifique que las conexiones estén apretadas y que haya arandelas; repita el procedimiento.

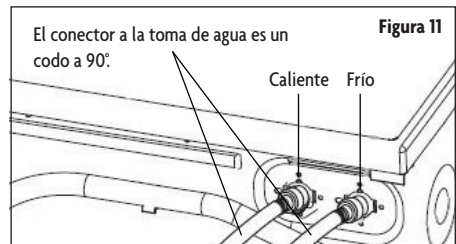


Figura 11

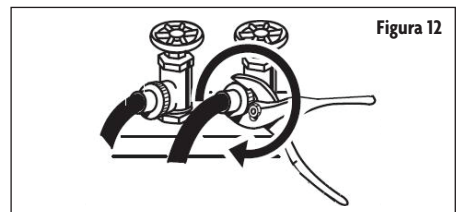


Figura 12

ANTES DE USAR

LISTA DE VERIFICACIÓN Y PREPARACIÓN ANTES DE LAVAR

Lea cuidadosamente todas las instrucciones para evitar cualquier daño o problemas con la lavadora y la ropa. SIEMPRE siga las instrucciones en las etiquetas sobre cuidado de la tela en prendas de ropa para un cuidado adecuado.

▲ ADVERTENCIA: NO deje las piezas lavadas en la lavadora por largos ratos. Las piezas que se dejan en la lavadora pueden ponerse mohosas y mancharse. La ropa también puede decolorarse si no se lava siguiendo la temperatura de lavado indicada y las instrucciones.

SELECCIÓN DEL DETERGENTE

- Se recomienda usar detergente en polvo de baja espuma.
- Algunos detergentes podrían no disolverse por completo si hay mucha cantidad o si la temperatura del agua es muy baja.
- El cloro puede dañar la ropa. Utilice cloro con cuidado y siga las instrucciones del detergente y cuidado de la vestimenta.

El método de lavado se basa en el peso de la ropa, nivel de suciedad, dureza del agua y recomendaciones del fabricante del detergente.

▲ NOTA: NO coloque ni guarde productos de lavandería, tales como detergentes, cloro o suavizante líquido, en la parte superior de la lavadora/secadora. Limpie cualquier derrame de inmediato. Estos productos pueden dañar el acabado y los controles. Mantenga los productos de lavandería en un espacio seguro y seco fuera del alcance de los niños.

SEPRE LA ROPA A LAVAR

Clasifique la ropa que va a lavar en algodón, fibra mixta, fibra sintética, seda, lana, etc. La ropa clara y oscura también debería separarse.

▲ NOTA: La tela nueva de color debe lavarse aparte.

- Accesorios: Los accesorios sueltos de algunas prendas pueden dañarse o dañar la lavadora. La ropa que contenga botones o bordados debería voltearse antes de lavarla.
- Cierres: Las cremalleras deben cerrarse y los botones o ganchos deben estar firmemente fijados. Cualquier cinta o lazo suelto debe amarrarse antes de lavarse.
- Materiales a prueba de agua: No se recomienda lavar telas impermeables ya que pueden dañarse o causar daños a la lavadora y otras piezas que se estén lavando.

QUITAR TODOS LOS OBJETOS SUELTOS DE LA ROPA

Revise todos los bolsillos/compartimientos de la ropa a lavar y retire cualquier artículo suelto como monedas. Los elementos sueltos podrían dañar la lavadora.

EQUILIBRAR LA CARGA

Lavar una prenda grande y pesada, como toallas, jeans, chaquetas, etc., puede causar una carga desequilibrada. Se sugiere añadir uno o dos artículos más para equilibrar la carga y permitir un desagüe suave y completo.

INSTRUCCIONES DE FUNCIONAMIENTO

PANEL DE CONTROL (SOLAMENTE PARA MCSCWD27W5)

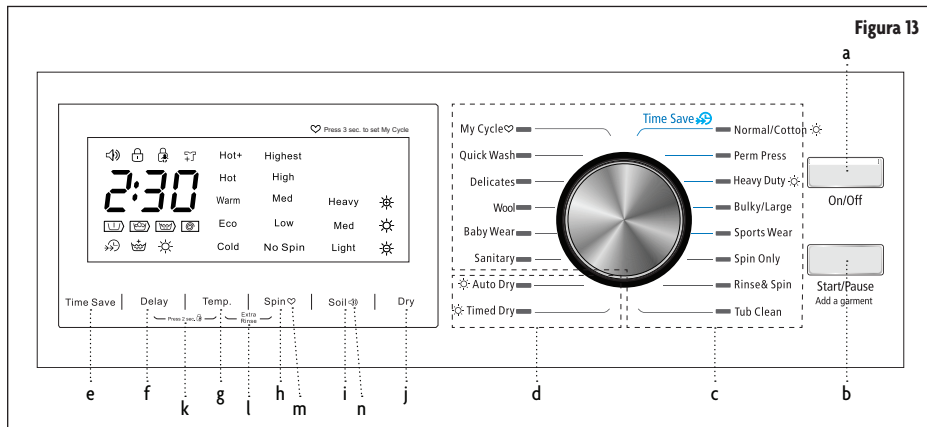


Figura 13

- a. Encendido/Apagado: Presione [On/Off] para ENCENDER el equipo. Vuelva a presionar ese botón para APAGAR el equipo.

▲ NOTA: Si la lavadora está programada para un ciclo de lavado y no se la hace arrancar dentro de los 10 minutos, el ciclo se cancelará y el equipo se apagará automáticamente.
- b. Inicio/Pausa: Presione [Start/Pause] para iniciar un ciclo de lavado. Presione [Start/Pause] otra vez para hacer una pausa en el ciclo cuando la lavadora está en marcha. Vuelva a presionar [Start/Pause] para reanudar el ciclo. Para añadir una prenda una vez comenzado el ciclo de lavado, presione este botón durante 3 segundos antes de que el tambor se haya llenado de agua. Esto solo se puede hacer al comienzo del ciclo, antes de que el agua llegue al fondo de la puerta. Espere que el tambor se detenga y la puerta se desbloquee, luego agregue las prendas. Cierre la puerta y presione [Start/Pause] para seguir lavando.
- c. Ciclos de lavado
 1. Mi ciclo: Seleccione esta opción para guardar como predeterminado un programa de lavado que utilice frecuentemente.
 - Para programarlo, seleccione las configuraciones que desee utilizar y mantenga presionado [Spin] durante 3 segundos para guardarlo.
 2. Lavado rápido: Seleccione esta opción para lavar pequeñas cargas de prendas no muy sucias.
 3. Ropa delicada Seleccione esta opción para telas delicadas como camisas de vestir, nailon, etc.
 - El ciclo de lavado funciona a una temperatura más baja.
 4. Lana: Esta opción sólo se utiliza para lavar prendas de lana etiquetadas como “Lavable a máquina”.
 - Para los tejidos de lana se deberán seleccionar el detergente y la temperatura del agua apropiadas.
 - Velocidad de centrifugado menor y menos agitación
 5. Prendas de bebé: Para lavar ropa de bebé.
 6. Sanitario: Utiliza agua caliente para que las enzimas del detergente actúen con más eficacia sobre piezas difíciles de lavar o muy sucias.

7. Normal/Algodón: Seleccione esta opción para prendas de algodón y telas que utiliza regularmente.
 - Ciclo de lavado extendido con mayor intensidad
 - Se recomendada para telas: algodón, ropa de cama, sábanas, camisetas, toallas, pantalones vaqueros, etc.
 - Se puede añadir el ciclo de secado.
8. Planchado permanente: Ciclo de lavado de fuerza moderada. Se usa para reducir las arrugas en la ropa durante el lavado.
9. Lavado intenso: Seleccione esta opción para prendas grandes y pesadas.
 - Se puede añadir el ciclo de secado.
10. Voluminosos/grandes: Seleccione esta opción para artículos voluminosos y grandes.
 - Ciclo de lavado extendido
11. Ropa deportiva: Seleccione esta opción para ropa deportiva.
 - Este ciclo de lavado limpia las prendas muy sucias.
12. Solo centrifugado: Seleccione esta opción para centrifugar una tanda por separado de un ciclo de lavado normal.
 - El agua con detergente o el agua de enjuague debe ser desagotada antes del centrifugado.
13. Enjuague y centrifugado: Seleccione esta opción para enjuagar y centrifugar una tanda por separado de un ciclo de lavado normal.
 - Esto puede ser útil para prevenir que manchas frescas se impregnen a las telas.
14. Limpieza del tambor: Seleccione esta opción para limpiar el tambor de lavado. Este programa utiliza elevadas temperaturas para esterilizar el tambor a la vez que elimina el detergente y los residuos acumulados. Agregue cloro para una mejor limpieza. Este programa se debería utilizar por lo menos una vez al mes con uso regular. NO AÑADIR ninguna prenda ni lavar nada durante este programa.

d. Ciclos de secado

▲ NOTA: La carga de secado máxima es inferior al tamaño de la carga de lavado. Corrobore el tamaño de la carga a secar cuando se lo utilice.

- Secado automático: Seleccione esta opción para pasar automáticamente al ciclo de secado según la carga. El programa de Secado automático tiene un ciclo de centrifugado de 12 minutos y un ciclo de aire de enfriamiento de 45 minutos. Se recomienda secar en varios lotes de menor tamaño para que el desempeño sea mejor.
- Tiempo de secado: Seleccione esta opción para fijar manualmente la duración del ciclo de secado. Los programas de Tiempo de secado incluyen un ciclo de centrifugado de 12 minutos y un ciclo de aire de enfriamiento de 25 minutos. Se recomienda secar en varios lotes de menor tamaño para que el desempeño sea mejor.

Tiempo en minutos	Capacidad
58	1.8 lbs. (0.8 kg)
88	2.2 lbs. (1.0 kg)
199	6.6 lbs. (3.0 kg)

▲ NOTA: Notas importantes para ciclos de secado

Para lavar solamente, es posible llenar el equipo hasta la máxima capacidad de lavado; sin embargo, las cargas de tamaño inferior a la de la máxima capacidad de lavado pueden mejorar el desempeño y la eficacia.

En los ciclos de lavado más ciclo de secado, o los ciclos de secado solamente, no llenar unidad superando la

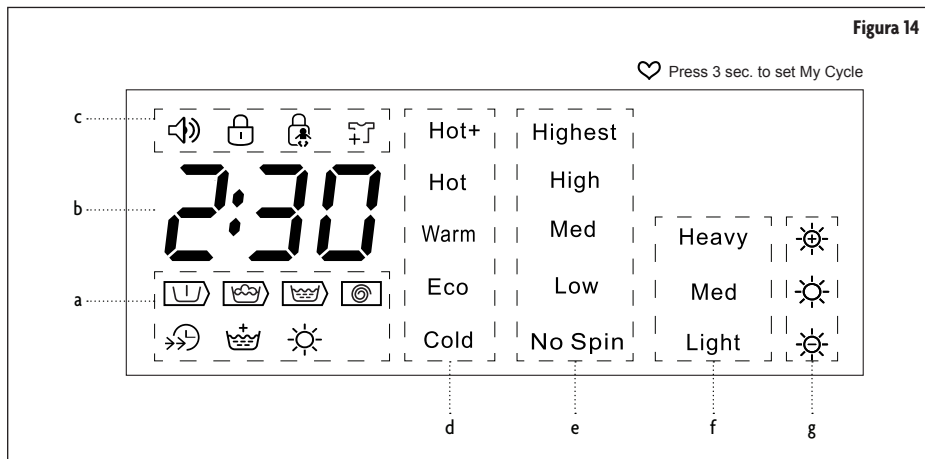
máxima capacidad de secado para permitir que la función de secado funcione de forma eficiente. Las cargas de tamaño inferior a la capacidad máxima mejorarán el desempeño del equipo combinado.

NO cortar el suministro de agua ni quitar las conexiones de la manguera durante el ciclo de secado. Esta es una unidad sin salida de aire que libere humedad durante el ciclo de secado. La secadora está equipada con un bloqueo de seguridad de la puerta para garantizar temperaturas seguras y evitar quemaduras y otros peligros de seguridad. La puerta quedará BLOQUEADA durante el ciclo de secado hasta que el equipo alcance una temperatura segura. Una vez la temperatura sea segura, la puerta debe abrir y funcionar normalmente.

- e. Ahorro de tiempo: Presione [Time Save] para disminuir el tiempo de lavado.
 - Consulte la tabla Parámetros del ciclo de lavado para conocer los programas que pueden usar la función Ahorro de tiempo.
- f. Retraso: Presione [Delay] para fijar el tiempo de retraso en que debe comenzar el lavado.
 - La luz del inicio con retraso parpadeará para indicar el tiempo de retraso. El tiempo de inicio del ciclo puede ser retrasado entre 1 y 24 horas.
 - Fije el programa de lavado, presione el botón Delay para fijar el número de horas que se retrasará el ciclo de lavado, luego presione Start/Pause.
 - Para cancelar el tiempo de retraso, presione el botón Delay hasta que la hora muestre 0H.
- g. Temperatura: Presione [Temp.] para fijar la temperatura de lavado deseada.
 - Presione el botón para fijar la temperatura de lavado (Caliente+, Caliente, Tibia, Eco, Fría)
- h. Centrifugado: Presione [Spin] para aumentar la velocidad del centrifugado.
 - El tambor de la lavadora centrifuga a una velocidad de hasta 1.300 rpm, lo que reduce el tiempo de secado y ahorra energía.
 - Presione el botón hasta que se encienda la velocidad deseada (Sin centrifugado, Velocidad baja, media, alta, máxima).
 - Algunos tejidos (por ejemplo, prendas delicadas) requieren una velocidad de centrifugado menor.
 - Las velocidades altas de centrifugado no están disponibles en todos los ciclos.
- i. Suciedad: Presione [Soil] para aumentar el tiempo para artículos más sucios.
 - Hay tres (3) opciones de nivel de suciedad.
 - Cada barra aumenta el tiempo de lavado base por 15 minutos.
- j. Nivel de secado: Presione el botón Secar continuamente para elegir el nivel de secado: Secado Extra/Secado Normal/Secado Suave.
- k. Bloqueo infantil: Presione [Delay] y [Temp.] al mismo tiempo durante 3 segundos para bloquear/desbloquear el panel de control.
 - El botón de encendido/apagado seguirá funcionando.
- l. Enjuague adicional: Presione los botones [Temp.] y [Spin] al mismo tiempo para añadir un enjuague adicional al ciclo seleccionado.
- m. Mi ciclo: Después de modificar un ciclo de lavado, mantenga pulsado el botón [Spin] para guardar la configuración.
 - Se puede seleccionar rápidamente este ciclo para el siguiente lavado girando la perilla hacia Mi Ciclo.
 - Anule la configuración guardada manteniendo pulsado el botón [Spin] nuevamente después de seleccionar un ciclo y opciones diferentes.
- n. Sonido: Presione el botón [Soil] durante 3 segundos para encender o apagar el sonido.

PANTALLA (SOLAMENTE PARA MCSCWD27W5)

Figura 14



a. Indicador de ciclo: Indica la etapa del ciclo de lavado/secado.

- : Prelavado
- : Lavado
- : Enjuague
- : Centrifugado
- : Ahorro de tiempo
- : Enjuague adicional
- : Secado

b. Reloj: Indica el tiempo restante para el final del ciclo de lavado/secado.

c. Indicador de funciones: Indica las funciones que están activas.

- Sonido: Indica que los sonidos están activados. Cuando la luz está apagada, el equipo está con el sonido en silencio.
- Bloqueo de puerta: La máquina se bloquea por la duración del ciclo.
- Bloqueo infantil: El bloqueo infantil está activado.
- Añadir una prenda

d. Temperatura del agua: Indica la temperatura seleccionada.

e. Velocidad de centrifugado: Indica la velocidad de centrifugado seleccionada.

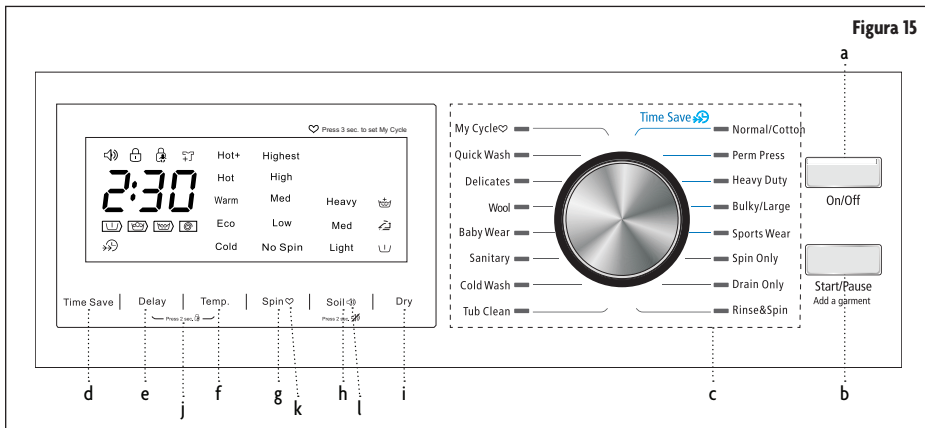
f. Indicador de nivel de suciedad: Indica el nivel de suciedad seleccionada.

g. Nivel de suciedad: Indica el nivel de secado seleccionado.

- Secado adicional
- Secado normal
- Secado suave

▲ NOTA: La carga de secado máxima es inferior al tamaño de la carga de lavado.

PANEL DE CONTROL (SOLAMENTE PARA MCSFLW27W)



- a. Encendido/Apagado: Presione [On/Off] para ENCENDER el equipo. Vuelva a presionar ese botón para APAGAR el equipo.

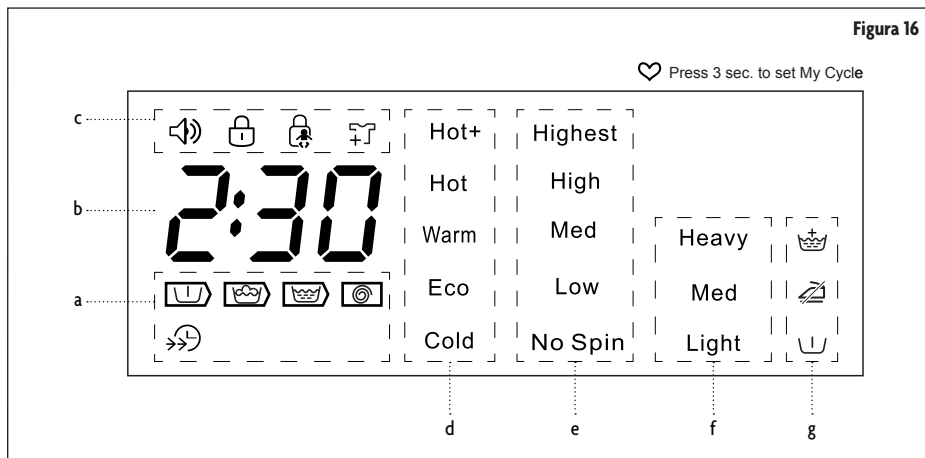
▲ NOTA: Si la lavadora está programada para un ciclo de lavado y no se la hace arrancar dentro de los 10 minutos, el ciclo se cancelará y el equipo se apagará automáticamente.
- b. Inicio/Pausa: Presione [Start/Pause] para iniciar un ciclo de lavado. Presione [Start/Pause] otra vez para hacer una pausa en el ciclo cuando la lavadora está en marcha. Vuelva a presionar [Start/Pause] para reanudar el ciclo. Para añadir una prenda una vez comenzado el ciclo de lavado, presione este botón durante 3 segundos antes de que el tambor se haya llenado de agua. Esto solo se puede hacer al comienzo del ciclo, antes de que el agua llegue al fondo de la puerta. Espere que el tambor se detenga y la puerta se desbloquee, luego agregue las prendas. Cierre la puerta y presione [Start/Pause] para seguir lavando.
- c. Ciclos de lavado
 1. Mi ciclo: Seleccione esta opción para guardar como predeterminado un programa de lavado que utilice frecuentemente.
 - Para programarlo, seleccione las configuraciones que desee utilizar y mantenga presionado [Spin] durante 3 segundos para guardarlo.
 2. Lavado rápido: Seleccione esta opción para lavar pequeñas cargas de prendas no muy sucias.
 3. Ropa delicada Seleccione esta opción para telas delicadas como camisas de vestir, nailon, etc.
 - El ciclo de lavado funciona a una temperatura más baja.
 4. Lana: Esta opción sólo se utiliza para lavar prendas de lana etiquetadas como “Lavable a máquina”.
 - Para los tejidos de lana se deberá seleccionar el detergente y la temperatura del agua apropiadas.
 - Velocidad de centrifugado menor y menos agitación
 5. Prendas de bebé: Para lavar ropa de bebé.
 6. Sanitario: Utiliza agua caliente para que las enzimas del detergente actúen con más eficacia sobre piezas difíciles de lavar o muy sucias.
 7. Lavado en frío: Solamente usa agua fría.
 8. Limpieza del tambor: Seleccione esta opción para limpiar el tambor de lavado. Este programa utiliza elevadas temperaturas para esterilizar el tambor a la vez que elimina el detergente y los residuos acumulados. Agregue cloro para una mejor limpieza. Este programa se debería utilizar por lo menos una

vez al mes con uso regular. NO AÑADIR ninguna prenda ni lavar nada durante este programa.

9. Normal/Algodón: Seleccione esta opción para prendas de algodón y telas que utiliza regularmente.
 - Ciclo de lavado extendido con mayor intensidad
 - Se recomendada para telas: algodón, ropa de cama, sábanas, camisetas, toallas, pantalones vaqueros, etc.
 10. Planchado permanente: Ciclo de lavado de fuerza moderada. Se usa para reducir las arrugas en la ropa durante el lavado.
 11. Lavado intenso: Seleccione esta opción para prendas grandes y pesadas.
 12. Voluminosos/grandes: Seleccione esta opción para artículos voluminosos y grandes.
 - Ciclo de lavado extendido
 13. Ropa deportiva: Seleccione esta opción para ropa deportiva.
 - Este ciclo de lavado limpia las prendas muy sucias.
 14. Solo centrifugado: Seleccione esta opción para centrifugar una tanda por separado de un ciclo de lavado normal.
 - Antes de centrifugar, desagotar el agua con detergente o el agua de enjuague.
 15. Solo desagüe Se usa para el desagüe del agua en el equipo.
 16. Enjuague y centrifugado: Seleccione esta opción para enjuagar y centrifugar una tanda por separado de un ciclo de lavado normal.
 - Esto puede ser útil para prevenir que manchas frescas se impregnen a las telas.
- d. Ahorro de tiempo: Presione [Time Save] para disminuir el tiempo de lavado.
- Consulte la tabla Parámetros del ciclo de lavado para conocer los programas que pueden usar la función Ahorro de tiempo.
- e. Demora: Presione [Delay] para fijar el tiempo de retraso en que debe comenzar el lavado.
- La luz del inicio del retraso parpadeará para indicar el tiempo de retraso. El tiempo de inicio del ciclo puede ser retrasado entre 1 y 24 horas.
 - Fije el programa de lavado, presione el botón Delay para fijar el número de horas que se retrasará el ciclo de lavado, luego presione Start/Pause
 - Para cancelar el tiempo de retraso, presione el botón Delay hasta que la hora muestre 0H.
- f. Temperatura: Presione [Temp.] para fijar la temperatura de lavado deseada.
- Presione el botón para fijar la temperatura de lavado (Caliente+, Caliente, Tibia, Eco, Fría)
- g. Centrifugado: Presione [Spin] para aumentar la velocidad del centrifugado.
- El tambor de la lavadora centrifuga a una velocidad de hasta 1.300 rpm, lo que reduce el tiempo de secado y ahorra energía.
 - Presione el botón hasta que se encienda la velocidad deseada (Sin centrifugado, Velocidad baja, media, alta, máxima).
 - Algunos tejidos (por ejemplo, prendas delicadas) requieren una velocidad de centrifugado menor.
 - Las velocidades altas de centrifugado no están disponibles en todos los ciclos.
- h. Suciedad: Presione [Soil] para aumentar el tiempo para artículos más sucios.
- Hay tres (3) opciones de nivel de suciedad.
 - Cada barra aumenta el tiempo de lavado base por 15 minutos.
- i. Función: Use para seleccionar las funciones durante el ciclo de lavado.

- j. Bloqueo infantil: Presione [Delay] y [Temp.] al mismo tiempo durante 3 segundos para bloquear/desbloquear el panel de control.
 - El botón de encendido/apagado seguirá funcionando.
- k. Mi ciclo: Después de modificar un ciclo de lavado, mantenga pulsado el botón [Spin] para guardar la configuración.
 - Se puede seleccionar rápidamente este ciclo para el siguiente lavado girando la perilla hacia Mi Ciclo.
 - Anule la configuración guardada manteniendo pulsado el botón [Spin] nuevamente después de seleccionar un ciclo y opciones diferentes.
- l. Sonido: Presione el botón [Soil] durante 3 segundos para encender o apagar el sonido.

PANTALLA (SOLAMENTE PARA MCSFLW27W)







- a. Indicador de ciclo: Indica la etapa del ciclo de lavado/secado.
 - : Prelavado
 - : Lavado
 - : Enjuague
 - : Centrifugado
 - : Ahorro de tiempo
- b. Reloj: Indica el tiempo restante para el final del ciclo de lavado/secado.
- c. Indicador de funciones: Indica las funciones que están activas.
 - Sonido: Indica que los sonidos están activados. Cuando la luz está apagada, el equipo está con el sonido en silencio.
 - Bloqueo de puerta: La máquina se bloquea por la duración del ciclo.
 - Bloqueo infantil: El bloqueo infantil está activado.
 - Añadir una prenda
- d. Temperatura del agua: Indica la temperatura seleccionada.
- e. Velocidad de centrifugado: Indica la velocidad de centrifugado seleccionada.
- f. Indicador de nivel de suciedad: Indica el nivel de suciedad seleccionado.
- g. Funciones adicionales: Indica las funciones adicionales seleccionadas.
 - Enjuague adicional
 - Plancha fácil
 - Prelavado

PARÁMETROS DE CICLOS DE LAVADO

PARÁMETROS DE CICLOS DE LAVADO (SOLAMENTE PARA MCSCWD27W5)

▲ **NOTA:** La carga de secado máxima es inferior al tamaño de la carga de lavado.

Programa	Máx. carga de lavado/secado en lb (kg)	Temperatura	Tiempo predeterminado (H:M)	Ahorro de tiempo	Enjuague adicional	Retraso	Nivel de suciedad	Velocidad de centrifugado
 Normal/Algodón	26.4/17.6 (12.0/8.0)	Tibio	1:04	○	-	○	-	medio
Planchado permanente	13.2 (6.0)	Tibio	1:35	○	○	○	Luz	Baja
 Lavado intenso	26.4/17.6 (12.0/8.0)	Caliente	2:36	○	○	○	-	medio
Voluminosos /grandes	13.2 (6.0)	Tibio	2:18	○	○	○	Luz	medio
Ropa deportiva	13.2 (6.0)	Tibio	2:08	○	○	○	Luz	medio
Solo centrifugado	26.4 (12.0)	-	0:12	-	-	○	-	alto
Enjuague y centrifugado	26.4 (12.0)	-	0:20	-	○	○	-	alto
Limpieza del tambor	-	Caliente +	1:58	-	-	○	-	-
 Tiempo de secado	1.1/2.2/5.5 (0.5/1.0/2.5)	-	1:28	-	-	○	-	muy alto
 Secado automático	17.6 (8.0)	-	4:18	-	-	○	-	muy alto
Sanitario	13.2 (6.0)	Caliente	3:09	-	○	○	-	medio
Prendas de bebé	26.4 (12.0)	Eco	1:39	-	○	○	Luz	medio
Lana	4.4 (2.0)	Tibio	1:37	-	○	○	-	Baja
Ropa delicada	5.5 (2.5)	Eco	1:00	-	○	○	-	Baja
Lavado rápido	4.4 (2.0)	Frío	0:20	-	-	○	-	medio

▲ **NOTA:** ○ es función Opcional.

▲ **NOTA:** ☀ es función Secado.

PARÁMETROS DE CICLOS DE LAVADO (SOLAMENTE PARA MCSFLW27W)

Programa	Máx. carga de lavado/secado en lb (kg)	Temperatura	Tiempo predeterminado (H:M)	Velocidad de centrifugado	Ahorro de tiempo	Enjuague adicional	Plancha fácil	Prelavado	Retraso
Normal /Algodón	26.5 (12.0)	Tibio	1:04	Medio	-	-	○	-	○
Planchado permanente	13.2 (6.0)	Tibio	1:35	Baja	○	○	●	-	○
Lavado intenso	26.5 (12.0)	Caliente	2:36	Medio	○	○	○	○	○
Voluminosos /grandes	13.2 (6.0)	Tibio	2:18	Medio	○	○	○	○	○
Ropa deportiva	13.2 (6.0)	Tibio	2:08	Medio	○	○	○	○	○
Solo centrifugado	26.5 (12.0)	-	0:12	Alto	-	-	○	-	○
Solo desagüe	26.5 (12.0)	-	0:01	-	-	-	-	-	○
Enjuague y centrifugado	26.5 (12.0)	-	0:20	Alto	-	○	○	-	○
Limpieza del tambor	-	Caliente	1:58	-	-	-	-	-	○
Lavado en frío	26.5 (12.0)	Frío	1:42	Medio	○	○	○	○	○
Sanitario	13.2 (6.0)	Caliente	3:09	Medio	-	○	○	●	○
Prendas de bebé	26.5 (12.0)	Eco	1:39	Medio	○	○	○	○	○
Lana	4.4 (2.0)	Tibio	1:37	Baja	-	○	○	-	○
Ropa delicada	5.5 (2.5)	Eco	1:00	Baja	-	-	-	-	○
Lavado rápido	4.4 (2.0)	Frío	0:20	Medio	-	-	-	-	○

▲ **NOTA:** ○ es función Opcional.

▲ **NOTA:** ● es función Obligatoria.

▲ **NOTA:** PROGRAMA DE PRUEBA DE ENERGÍA - NORMAL/ALGODÓN

El programa “Normal/Algodón” es el programa de lavado estándar al que se refiere la información en la etiqueta y la guía de energía, y es adecuado para lavar ropa de algodón con suciedad normal y es el programa más eficiente, en términos de consumo combinado de energía y agua, para lavar ese tipo de ropa. La temperatura real del agua podría diferir de la temperatura del ciclo declarado.

▲ **NOTA:** Los parámetros en esta tabla son solo para referencia del usuario. Los parámetros reales podrían variar de los parámetros indicados en la tabla anterior.

FUNCIÓN DE MEMORIA POR PÉRDIDA DE ENERGÍA

En caso de pérdida de energía, la lavadora reanudará automáticamente el funcionamiento de las configuraciones previas, cuando se restablezca la energía

CUIDADO Y MANTENIMIENTO

Antes de cualquier operación de mantenimiento, asegúrese de desenchufar la corriente del tomacorriente y cerrar la llave.

▲ ADVERTENCIA:

- NO UTILIZAR solventes para limpiar el equipo. La lavadora podría dañarse o podrían generarse gases tóxicos.
- JAMÁS rociar agua sobre la lavadora para limpiarla.
- NO UTILIZAR detergentes que contengan PCMX para limpiar la máquina lavadora.
- Ciertas partes internas no han sido puestas a tierra intencionalmente y podrían presentar el riesgo de descarga eléctrica solamente durante el servicio técnico. Personal de servicio técnico: NO TOQUE las partes siguientes mientras el aparato está energizado: Bomba de desagüe, bloqueo de la puerta, calentador de secado (combo), motor del ventilador (combo).

LIMPIEZA Y MANTENIMIENTO DEL GABINETE DE LA LAVADORA

Un adecuado mantenimiento de la lavadora puede prolongar su vida útil. La superficie puede ser limpiada con detergentes neutros no abrasivos cuando sea necesario. En caso de desbordamiento de agua, retirar el agua de inmediato con un paño. NO PERMITIR que objetos filosos golpeen el gabinete.

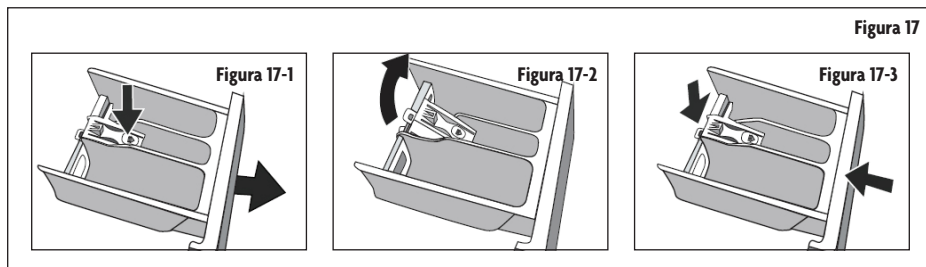
▲ **NOTA:** NO USAR ácido fórmico, solventes que lo contengan diluido ni productos equivalentes.

LIMPIEZA DEL TAMBOR INTERNO

Limpie de inmediato cualquier elemento corrosivo dejado por artículos de metal con un detergente sin cloro. NO USAR lana de acero.

LIMPIEZA DE LA CAJA PARA DETERGENTES

1. Abra la caja para detergentes.
2. Oprima la flecha y saque el conjunto deslizándolo hacia afuera. (Figura 17-1)
3. Levante el sujetador, quite la tapa del suavizante y lave todas las secciones con agua. (Figura 17-2)
4. Vuelva a colocar la tapa del suavizante e introduzca el cajón de nuevo en su lugar. (Figura 17-3)



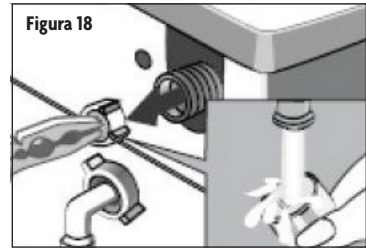
LIMPIEZA DEL FILTRO DE ENTRADA

Podría ser necesario limpiar el filtro de entrada si no hubiera suficiente agua o no entrara agua cuando se abre el grifo. Para limpiar el filtro:

1. Cierre el grifo.
2. Seleccione cualquier función menos “Lavado” o “Desagüe”.
3. Presione el botón “Start/Pause” y mantenga el ciclo en funcionamiento durante unos 40 segundos.
4. Quite la manguera de entrada de agua del grifo.
5. Lave con agua el filtro.
6. Vuelva a conectar la manguera de entrada de agua.

LAVADO DEL FILTRO EN LA LAVADORA

1. Quite la manguera de entrada de agua de la parte posterior de la máquina.
2. Saque el filtro con alicates de punta larga y lavar con agua.
3. Vuelva a colocar el filtro en su sitio.
4. Vuelva a conectar la manguera de entrada de agua.
5. Abra el grifo y corrobore que no haya pérdidas de agua.
6. Cierre el grifo.



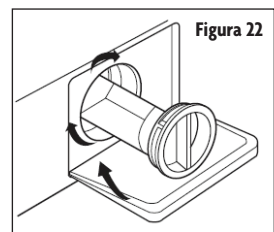
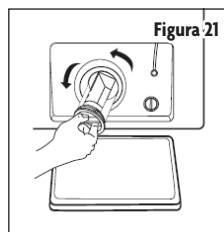
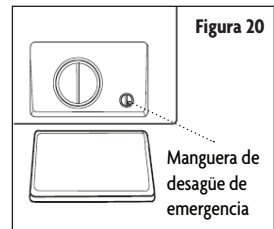
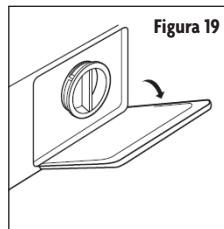
QUITAR CUALQUIER SUSTANCIA EXTRAÑA DEL FILTRO DE LA BOMBA DE DESAGÜE

El filtro de la bomba de desagüe puede filtrar pequeñas sustancias extrañas de la ropa lavada. Limpie periódicamente el filtro para asegurar el funcionamiento normal de la lavadora.

Si la máquina no se vacía y/o no centrifuga, o si hace ruidos inusuales durante el drenado durante el drenado, inspeccione la bomba en busca de objetos (monedas, por ejemplo) que bloqueen la bomba.

Para acceder y limpiar el filtro:

1. Abra la tapa de acceso inferior. (Figura 19)
2. Quite la tapa de la manguera de desagüe de emergencia y deje escurrir el agua. Se recomienda tener un recipiente listo para atrapar el agua restante. (Figura 20)
3. Vuelva a colocar la manguera de desagüe de emergencia y abra el filtro haciéndolo girar en sentido contrario a las agujas del reloj. (Figura 21)
4. Quite cualquier objeto que se encuentre en el filtro y vuelva a colocarlo, trabándolo haciéndolo girar en sentido de las agujas del reloj. (Figura 22)



▲ ADVERTENCIA: Para no quemarse, esto se deberá hacer una vez enfriada el agua caliente dentro de la lavadora.

▲ ADVERTENCIA: Cuando el aparato está en uso y según el programa seleccionado, podría haber agua caliente en la bomba. Jamás quite la tapa de la bomba durante un ciclo de lavado: espere siempre hasta que el aparato haya terminado el ciclo y esté vacío. Al volver a colocar la tapa, asegúrese de que quede firmemente en su sitio.

DESCONGELAMIENTO DE UNA LAVADORA

Si la temperatura cae por debajo de cero y su lavadora se congela, usted puede:

1. Desconectar la fuente de alimentación de la lavadora.
2. Lavar la conexión del grifo con agua tibia para aflojar la manguera de entrada de agua.
3. Quitar la manguera de entrada de agua y sumergirla en agua tibia.
4. Verter agua tibia dentro del tambor de lavado y esperar 10 minutos.
5. Volver a conectar la manguera de entrada de agua al grifo y verificar si la entrada y la salida están funcionando normalmente.

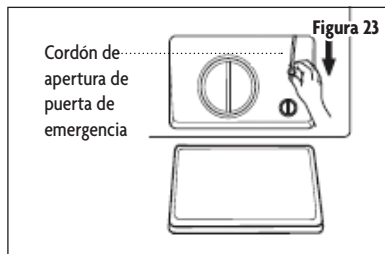
▲ NOTA: Cuando se vuelve a utilizar la lavadora, corroborar que la temperatura ambiente esté por arriba de 32 °F (0 °C).

PARA PREVENIR EL CONGELAMIENTO

Si la lavadora se encuentra en una habitación donde el agua pueda congelarse rápidamente, desagote por completo el agua remanente en las mangueras de salida y de entrada de agua.

Quite el agua remanente en la manguera de entrada de agua:

1. Cierre el grifo.
2. Desatornille la manguera de entrada de agua del grifo y coloque su extremo dentro del recipiente.
3. Inicie cualquier ciclo, menos el de Lavado o el de Desagüe. El agua de la manguera de entrada, si la hubiera, se desagotará durante unos 40 segundos.
4. Vuelva a conectar la manguera de entrada de agua al grifo.



LIBERACIÓN DE LA PUERTA DE EMERGENCIA

En caso de una falla de electricidad o cualquier otro problema y que no se pueda abrir la puerta, si fuera necesario hacerlo, hale el cordón dentro del panel de acceso. Asegurarse de volver a guardar el cordón luego de abrir la puerta.

▲ PRECAUCIÓN: El cordón de apertura de emergencia no se puede usar durante el lavado. Si el equipo está en funcionamiento, espere hasta que se detenga y que el interior se enfríe a una temperatura segura antes de abrir la puerta.

SOLUCIÓN DE PROBLEMAS

DETECCIÓN DE CÓDIGOS DE ALARMA

Código de alarma	Causa del problema	Solución
E30	La puerta no está correctamente cerrada.	Verifique si hay ropa atrapada en la puerta. Cierre la puerta y vuelva a poner en marcha.
E10	Problema con el flujo de agua.	Revise si la presión de agua es demasiado baja. Corrobore que la manguera de entrada de agua no esté doblada o bloqueada. Revise si el filtro de la válvula de entrada está bloqueado.
E21	El agua tarda demasiado tiempo en desagotar.	Revise si la manguera de desagüe está tapada.
E12	Desbordamiento de agua.	Vuelva a poner en marcha la lavadora.
EXX	Otro. Vuelva a poner en marcha la máquina para que desaparezca.	Llame al servicio al cliente si el código persiste.

▲ NOTA: Luego de probar la solución, vuelva a poner en marcha la máquina. Si el código persiste, comuníquese con el servicio al cliente.

Cuando la lavadora necesite servicio técnico, comuníquese con nuestro departamento de servicio al cliente y un representante intentará diagnosticar el problema. NO desarme la lavadora sin autorización previa. Hacerlo anulará su garantía.

Si la lavadora no funciona correctamente, o suena una alarma, revise las siguientes directrices para encontrar soluciones posibles a problemas comunes o indicadores de alarma.

LISTA DE PROBLEMAS Y POSIBLES SOLUCIONES

Problema	Causa	Solución
La lavadora no se pone en marcha.		Revise si la puerta está bien cerrada. Revise si el enchufe de energía eléctrica está bien insertado. Revise si el suministro de agua está abierto. Revise si el botón "On/Off" está presionado. Revise el botón "Start/Pause" está presionado.
No es posible abrir la puerta.	La traba de seguridad está activada.	Desconecte la electricidad.
Fallo de calentamiento	El termistor NTC (sensor de temperatura) está dañado y la tubería de calefacción está desgastada.	Comuníquese con servicio al cliente.
Fuga de agua	La conexión entre la manguera de entrada o de salida de agua y el grifo o la lavadora no está ajustada.	Revise y ajuste las mangueras de agua.
	La tubería de desagüe está tapada.	Limpie la manguera de salida y desagüe.

El agua que desborda de la base de la máquina.	La manguera de entrada de agua no está conectada firmemente.	Arregle la manguera de entrada de agua.
	La manguera de salida pierde agua.	Vuelva a colocar la manguera de desagüe.
El indicador o la pantalla no se encienden.	La fuente de alimentación está desconectada.	Revise si el enchufe está bien conectado y que la electricidad está encendida.
	La tarjeta de PC tiene problemas.	El arnés tiene problemas de conexión.
	Comuníquese con servicio al cliente.	
Hay restos de detergente en la bandeja para detergente	El polvo de lavar está húmedo y endurecido.	Limpiar y secar la bandeja.
		Use detergentes líquidos o un detergente especial para lavadoras de carga frontal de alta eficiencia.
La ropa no se limpia lo suficiente	La ropa está muy sucia.	Seleccione un programa de lavado adecuado.
	Insuficiente cantidad de detergente.	Corrobore que ha seguido las instrucciones para agregar la cantidad de detergente.
Ruidos anormales o vibraciones		Asegúrese de que se hayan quitado los pernos de transporte. Asegúrese de que el gabinete esté instalado sobre una superficie firme y a nivel. Revise que no haya elementos extraños dentro del equipo. Asegúrese de que las patas niveladoras estén a nivel.



Garantía limitada

MC Appliance Corporation garantiza que todas las Lavadora y Combo de Lavadora y Secadora sin ventilación carecen de defectos en el material y la mano de obra y acuerda solucionar cualquiera de estos defectos o instalar la(s) parte(s) nueva(s) (a elección de la compañía) en caso de que la unidad haya fallado durante el periodo de garantía. Las partes y gastos de reparación están cubiertos en esta unidad por un periodo de un año a partir de la fecha de compra. Es necesario presentar una copia del recibo o factura de compra con fecha para obtener los servicios de la garantía, el reemplazo o el reembolso.

Esta garantía cubre los aparatos que se usen dentro de los Estados Unidos contiguos, Alaska, Hawái y Puerto Rico. La garantía no cubre lo siguiente:

- Daños debido al daño del envío o a la instalación incorrecta.
- Daños debido al mal uso o abuso.
- Pérdidas de contenido debido a falla de la unidad.
- Componentes como filtro, etc.
- Las reparaciones se realizaran por los agentes desautorizados del servicio.
- Llamadas de servicio que no implican defectos en material y la ejecución tal como instrucción en el uso apropiado del producto o de la instalación incorrecta.
- Reemplazo o reajuste de los fusibles o de los interruptores de la casa.
- Falla de este producto si se usa con fines distintos a los que fue diseñado.
- Costes de la disposición de unidades falladas no vueltas a nuestra fábrica.
- Todos los gastos de entrega/instalación incurridos como resultado de una unidad que no cumple con lo especificado.
- Gastos de viajes y el transporte de los productos principales de servicio si su aparato está situado en una zona remota donde el servicio por un técnico de servicio no está disponible.
- La remoción y reinstalación de su gran aparato, si está instalado en un lugar inaccesible o no está instalado de conformidad con las instrucciones de instalación publicadas.
- Restituciones por productos no reparables se limita al precio pagado por la unidad por el recibo de compra.
- Esta garantía es intransferible. Esta garantía es válida exclusivamente para el comprador original y no se extiende a ningún otro propietario o propietarios subsiguientes.

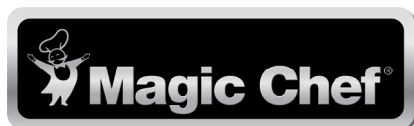
Limitaciones de remedios y exclusiones:

La reparación del producto de acuerdo con los términos de este documento, es el único y exclusivo remedio determinado en esta garantía limitada. Todas y cada una de las garantías implicadas, incluyendo la calidad de comerciable y capacidad para un propósito particular, se limitan mediante la presente a un año o el periodo más corto permitido por la ley. MC Appliance Corporation no es responsable por daños incidentales ni resultantes y ningún representante o persona alguna están autorizados para asumir de parte nuestra ninguna otra responsabilidad en relación con la venta de este producto. Bajo ninguna circunstancia se le permite al consumidor regresar esta unidad a la fábrica sin consentimiento previo por escrito de MC Appliance Corporation.

Algunos estados prohíben la exclusión o limitación por daños incidentales o resultantes, o limitaciones en las garantías implícitas. Esta garantía le otorga a usted derechos legales específicos, y usted puede también tener otros derechos que varían según la entidad federal/iva donde se encuentre.

Modelo	Piezas	Trabajo	Tipo de servicio
MCSFWD27W5 MCSFLW27W	Uno año	Uno año	En su casa

Para servicio o asistencia, llame por favor al **888-775-0202**. O visítenos en **www.mcpliance.com** para solicitar el servicio de garantía o repuestos.



**CNA International, Inc. realiza negocios bajo el nombre de MC Appliance Corporation.
Derechos reservados.**

El logotipo Magic Chef® es una marca registrada de CNA International, Inc.

www.mcappliance.com

Impreso en China